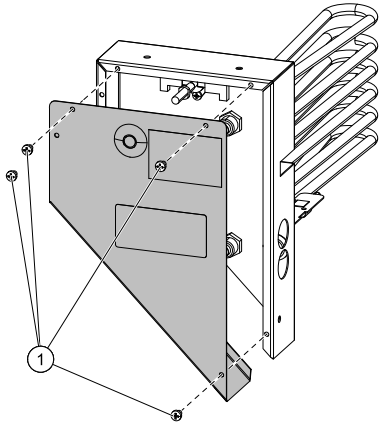
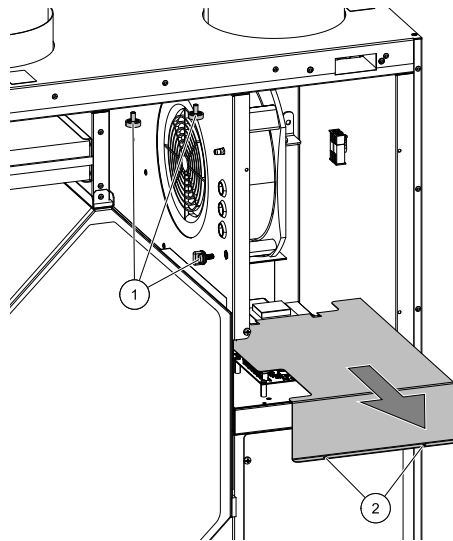


These instructions cover installation process of the electrical reheater in SAVE VTC 300 right version unit. Installation in left version unit is mirrored.

1. Remove the cover of reheater by loosening screws at the front (pos. 1).

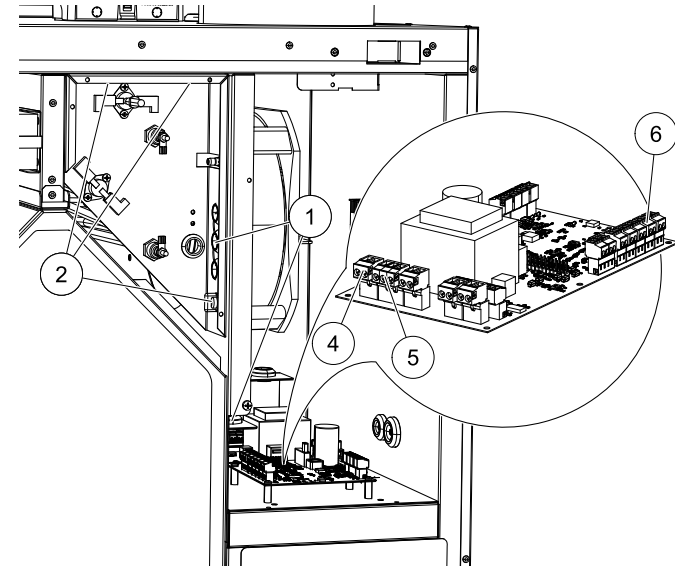


2. Remove knobs in the reheater compartment (pos. 1), they will be used to hold the reheater in place. Remove the main circuit board cover plate by removing 2 screws (pos. 2) in the lower front edge of the plate.



3. Insert reheater, lead cables through holes on the side (pos. 1). Secure reheater in place using previously removed knobs (pos. 2).

- Connect reheater control wires to the terminal block marked as HEATER (pos. 4) on the main circuit board. Connect blue wire to N socket, brown wire to L socket.
- Connect TRIAC wires to the terminal block marked as TRIAC (pos. 5) on the main circuit board. Connect black wire to G socket, brown wire to A1 socket, gray wire to A2 socket.
- Connect overheat protection sensor to any free analog input on the main circuit board (pos. 6). Connect black wire to ground (GND), red wire to analog input.



4. Place back covers of reheater and the main circuit board and secure them with screws.

#### NOTE:

For more detailed information see a wiring diagram delivered with the unit.

#### Configuration

1. Go to *Service* menu
2. Enter password (default 1111)
3. Go to *Components* menu, select *Heater* menu and select type as *Electrical*. Do advanced settings if necessary.
4. Configure overheat protection sensor. Go back to *Input* menu. Select *ANALOG* tab. Select the analog input to which the overheat protection sensor is connected. Example if it is connected to AI4 on the main circuit board, then select *ANALOG INPUT 4* and select *Overheat Temperature Sensor (OHT)* from the input type list.
5. Configure TRIAC. Go to *Output* menu. Select *ANALOG* tab then select *TRIAC OUTPUT* and set output type as *Y1 Heating*.