

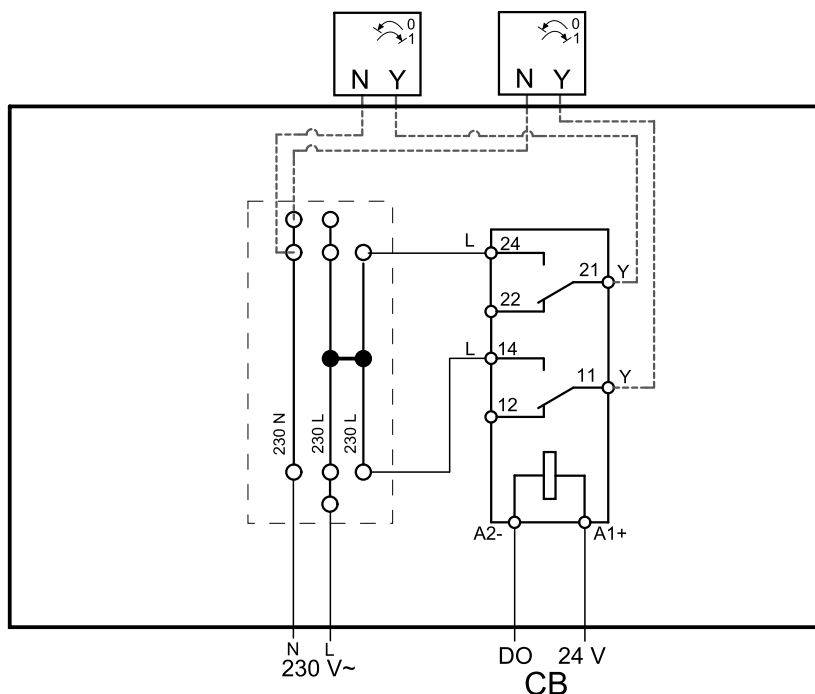
1 Relay mounting kit

Article number: 153549

Relay mounting kit allows to power and control 230 V~ dampers.

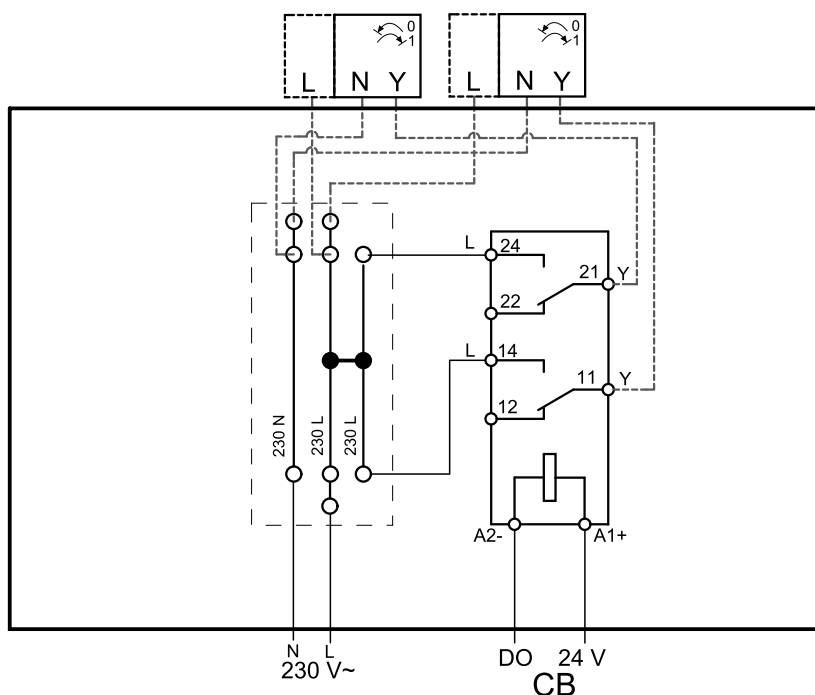
1.1 Dampers (230 V~) with spring return actuators

Standard configuration.



1. Connect digital output (DO) and 24 V wires to the corresponding terminals in SAVE unit connection box (CB). GND wire in this setup is not used.
2. Connect L and N wires to the external 230 V~ power source.
3. Connect each damper neutral (N) wire to terminal marked as 230 N and each line wire (Y) to relay socket terminals marked 11 and 21.

1.2 Dampers (230 V~) with non-spring return actuators



1. Connect digital output (DO) and 24 V wires to the corresponding terminals in SAVE unit connection box (CB). GND wire in this setup is not used.
2. Connect L and N wires to the external 230 V~ power source.

3. Connect each damper neutral (N) wire to terminal marked as 230 N and each line wire (Y) to relay socket terminals marked 11 and 21.
4. Dampers without spring return require constant power supply, therefore another line wire from each damper have to be connected to terminals marked 230 L.

2 Configuration

Before dampers can be controlled by SAVE unit, a digital output has to be configured in the control panel.

1. Go to `Service` menu
2. Enter password (default 1111)
3. Configure control signal to the relay. Go to `Output` menu. Select `DIGITAL` tab. Select the digital output to which the relay is connected. Example if it is connected to D03 on the connection board, then select `DIGITAL OUTPUT 3` and select signal type as `Outdoor-/Exhaust Air Damper` from the output type list.