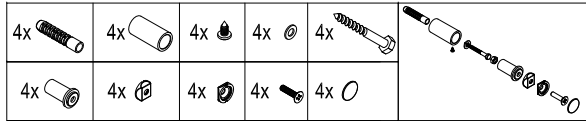
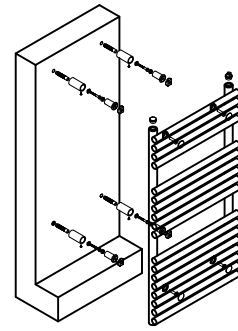
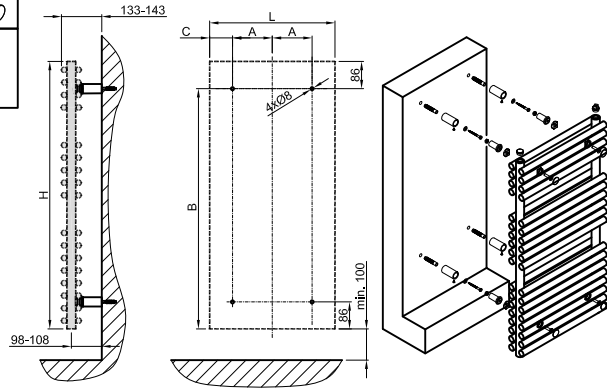


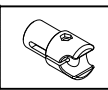
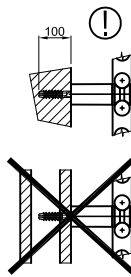
IKARIA DOUBLE

IKARIA H=1772



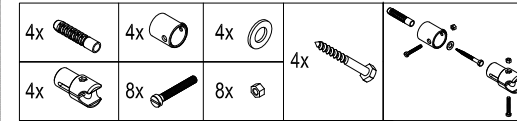
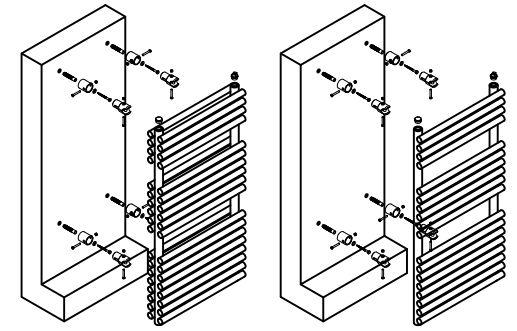
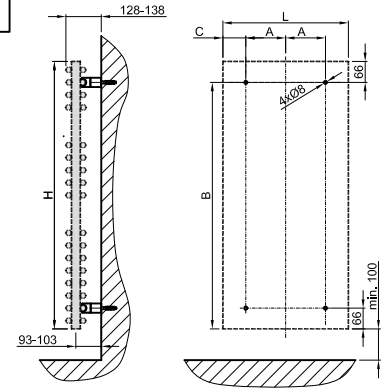
H/L [mm]	A [mm]	B [mm]	C [mm]
732/600	220	666	80
1212/600	220	1146	80
1772/600	220	1706	80

H/L [mm]	A [mm]	B [mm]	C [mm]
1772/500	170	1706	80
1772/600	220	1706	80



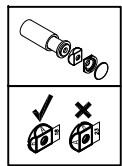
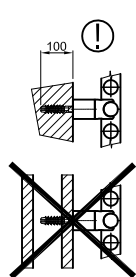
IKARIA DOUBLE

IKARIA H=1772

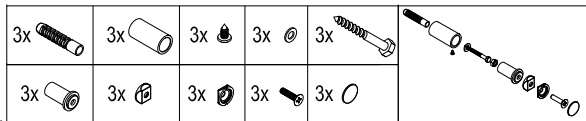
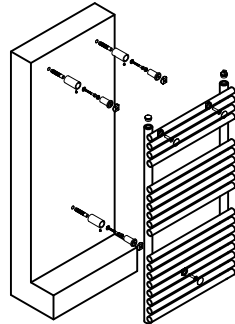
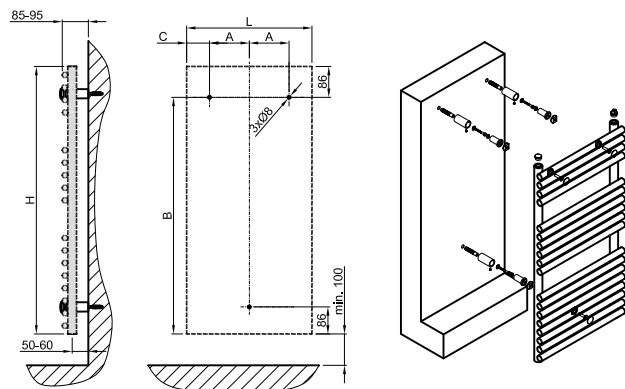


H/L [mm]	A [mm]	B [mm]	C [mm]
732/600	220	666	80
1212/600	220	1146	80
1772/600	220	1706	80

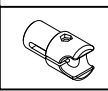
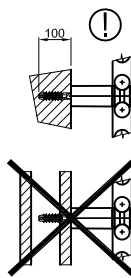
H/L [mm]	A [mm]	B [mm]	C [mm]
1772/500	170	1706	80
1772/600	220	1706	80



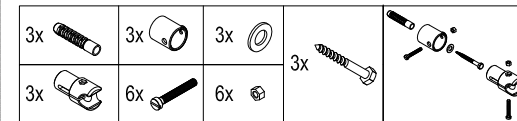
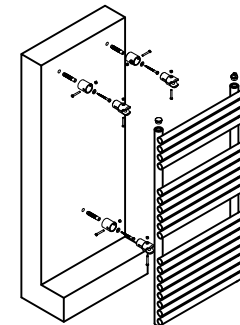
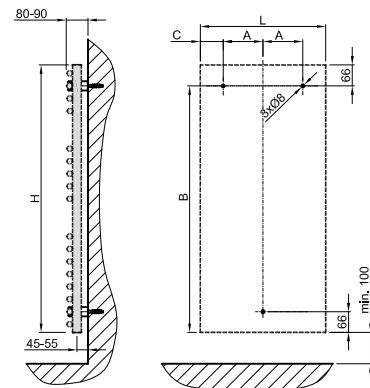
IKARIA



H/L [mm]	A [mm]	B [mm]	C [mm]
732/500	162	684	88
732/600	195	684	105
1212/500	162	1164	88
1212/600	195	1164	105



IKARIA



H/L [mm]	A [mm]	B [mm]	C [mm]
732/500	162	684	88
732/600	195	684	105
1212/500	162	1164	88
1212/600	195	1164	105

