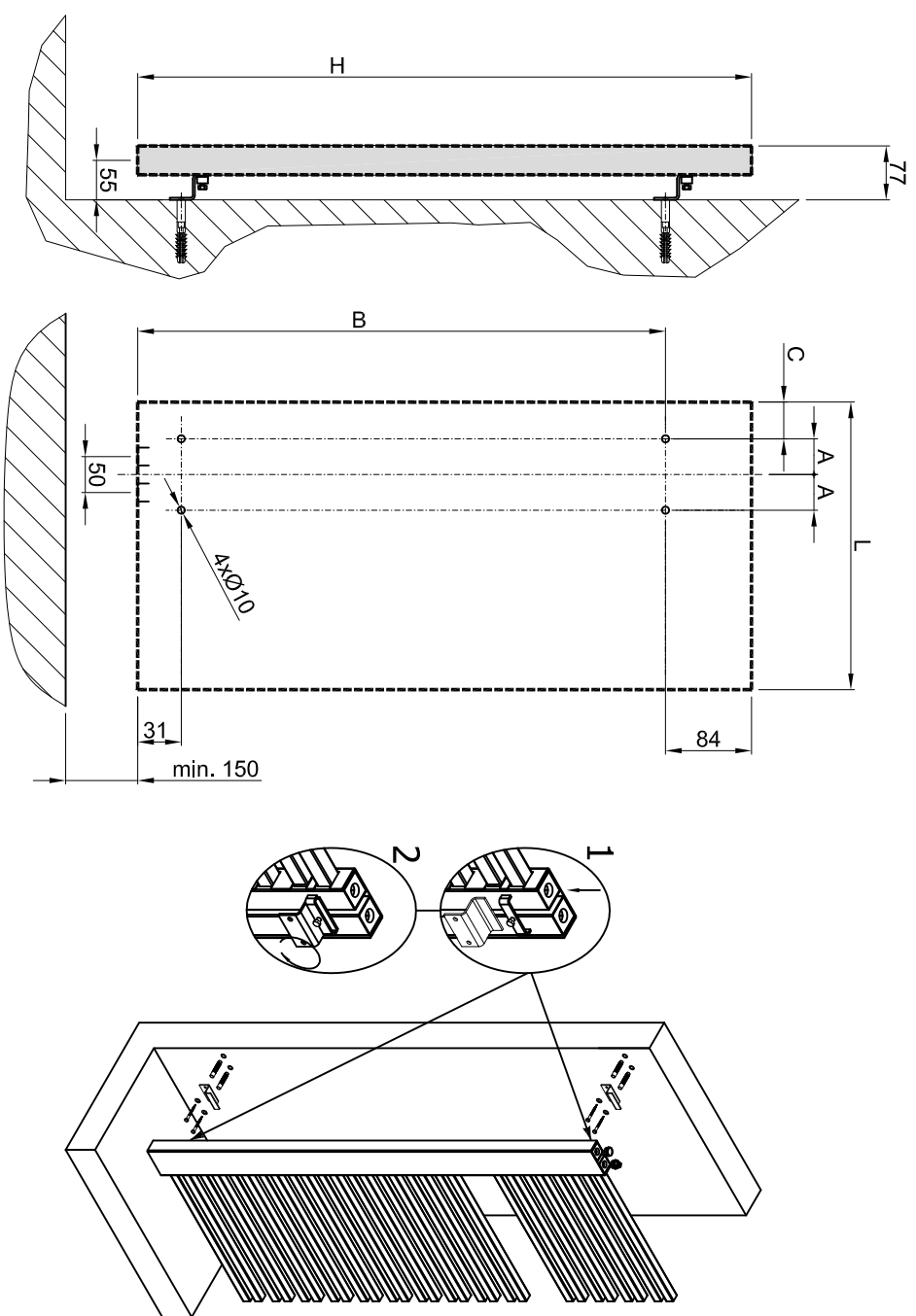
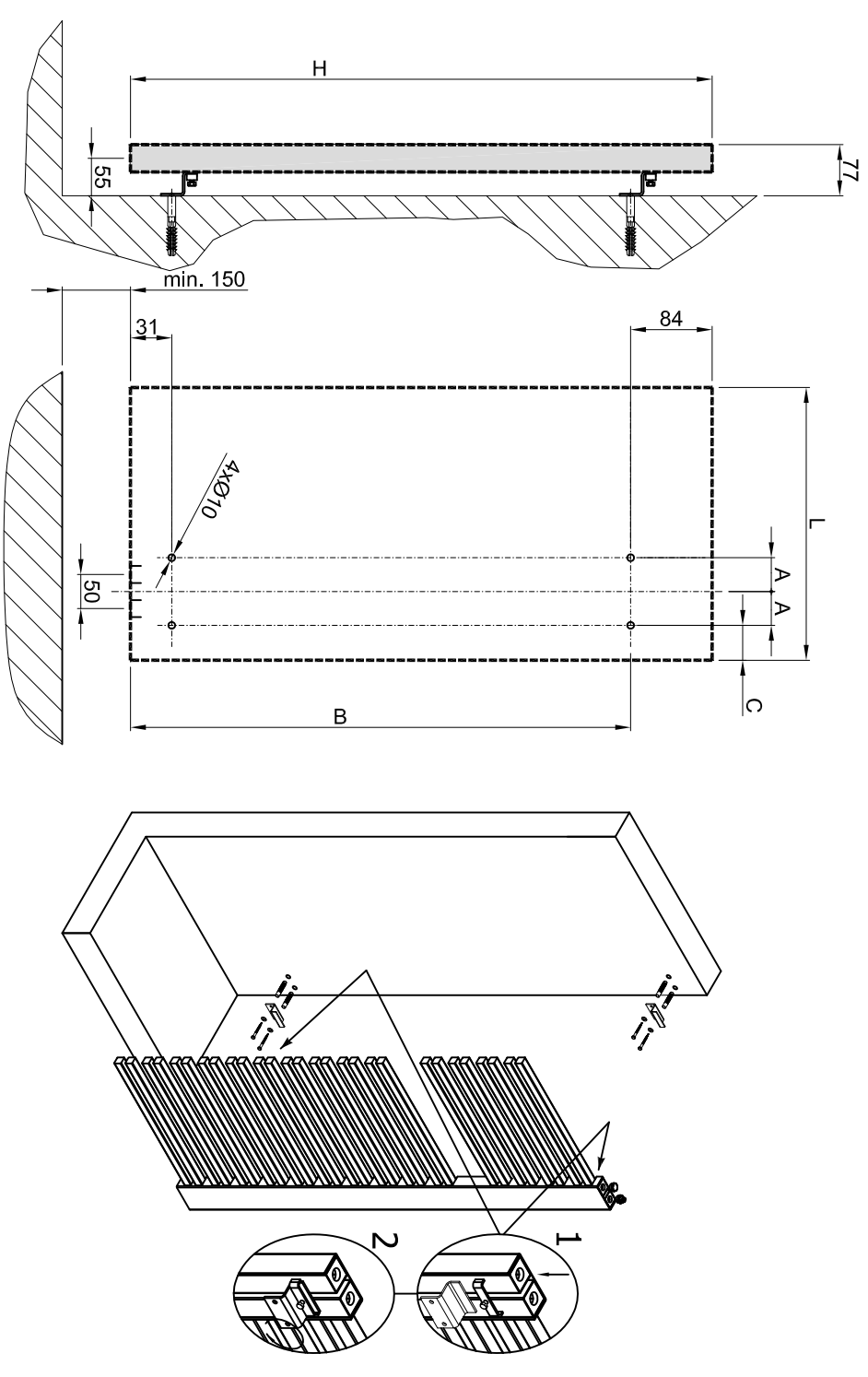


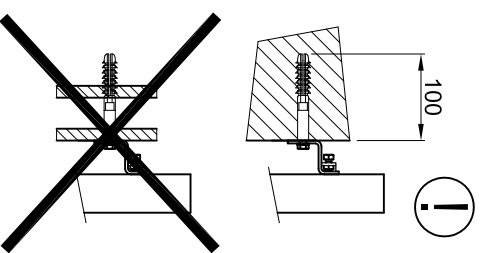
SWING PRAVÝ



SWING LEVÝ



2x		4x		4x		4x	
H/L [mm]	A [mm]	B [mm]	C [mm]				
1210/600	23	1126	25				
1610/600	23	1526	25				



2x		4x		4x		4x	
H/L [mm]	A [mm]	B [mm]	C [mm]				
1210/600	23	1126	25				
1610/600	23	1526	25				

