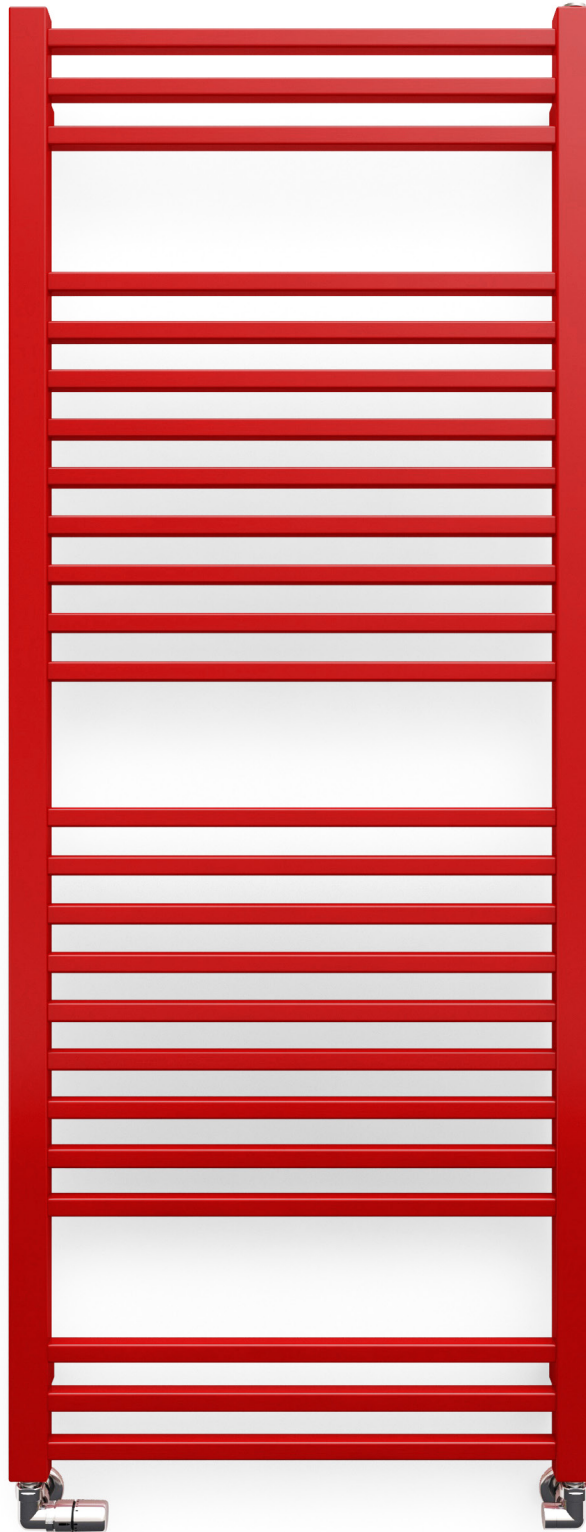


Bone



Bone 1510 \updownarrow × 600 \leftrightarrow SX
colour: RAL 3020

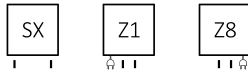
3-axis thermostatic valve set, left, chrome
Pipe-masking set, chrome



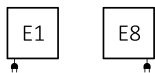


Design: *Terma*

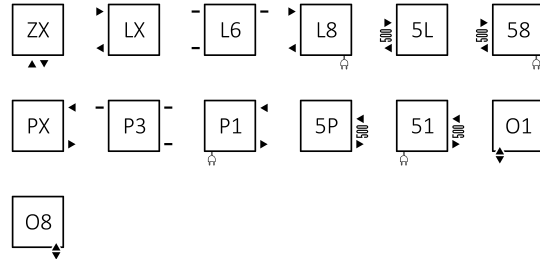
Standard connection:



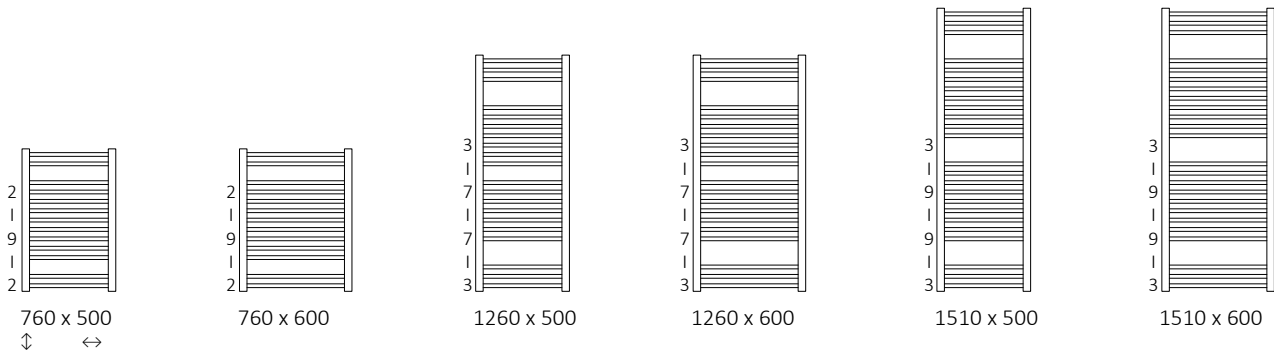
Electric radiators:



Optional connection:



Available sizes:



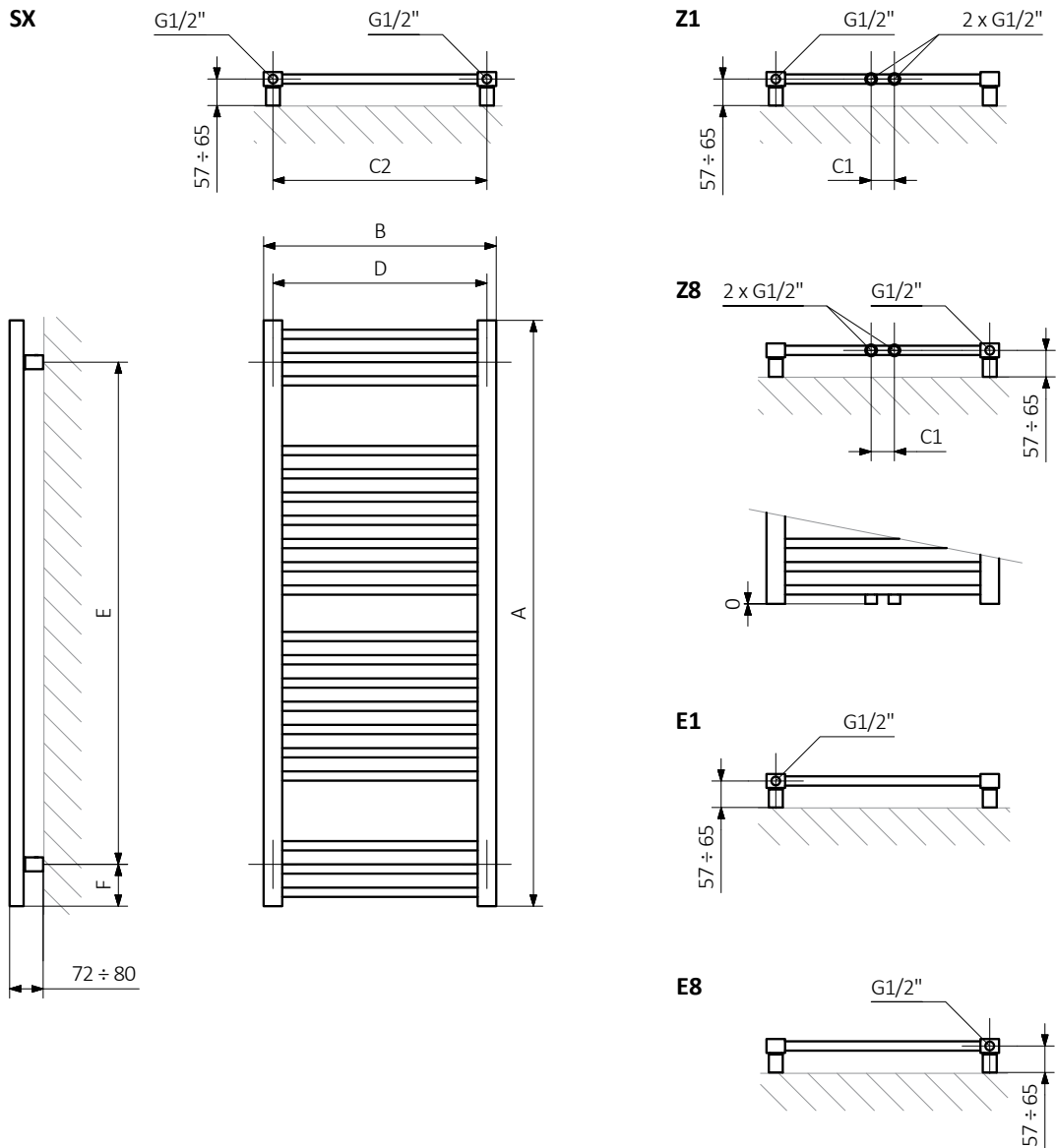
Specification:

Working pressure: 800 kPa Maximum operating temperature: 95°C

A ↓ [mm]	B ↔ [mm]	C1 [mm]	C2 [mm]	75/65/20°C [W]	55/45/20°C [W]	☺ [W]	D [mm]	E [mm]	F [mm]	📦 [dm³]	📖 [kg]	Product code <small>Configuration code p. 5</small>
Paint												
760	500	50	460	320	173	300	460	580	90	3,09	7,34	WGBON076050
760	600	50	560	384	208	400	560	580	90	3,46	8,47	WGBON076060
1260	500	50	460	503	271	600	460	1080	90	4,93	11,45	WGBON126050
1260	600	50	560	603	325	600	560	1080	90	5,51	13,19	WGBON126060
1510	500	50	460	607	323	600	460	1330	90	5,92	13,68	WGBON151050
1510	600	50	560	728	387	800	560	1330	90	6,61	15,78	WGBON151060
Plating												
760	500	50	460	224	121	200	460	580	90	3,09	7,09	WGBON076050
760	600	50	560	269	145	300	560	580	90	3,46	8,19	WGBON076060
1260	500	50	460	352	190	400	460	1080	90	4,93	11,06	WGBON126050
1260	600	50	560	422	227	400	560	1080	90	5,51	12,75	WGBON126060
1510	500	50	460	425	226	400	460	1330	90	5,92	13,22	WGBON151050
1510	600	50	560	510	271	600	560	1330	90	6,61	15,24	WGBON151060



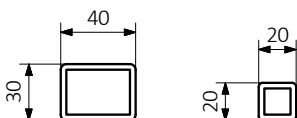
Technical drawing:



A – Height B – Width C1-C5 – Distance between pipe centres D – Horizontal distance between mounting bracket centres
 E – Vertical distance between mounting brackets F – Distance between a mounting bracket and the bottom of the radiator

Collector:

Pipe:





In the table with technical data, the last column lists product codes. When placing an order, please remember to quote the product code followed by the configuration code as shown in the diagram below:

The construction of a water and dual fuel radiator product and configuration code

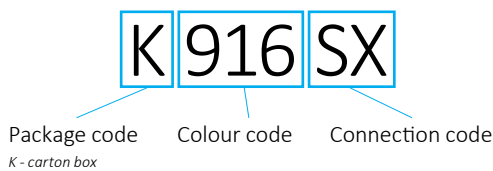
WGBON076050

K916SX

PRODUCT CODE
(located in the table for the product)

CONFIGURATION CODE
(supplemented by hand)

Example Configuration



Construction of electric heater configuration code:

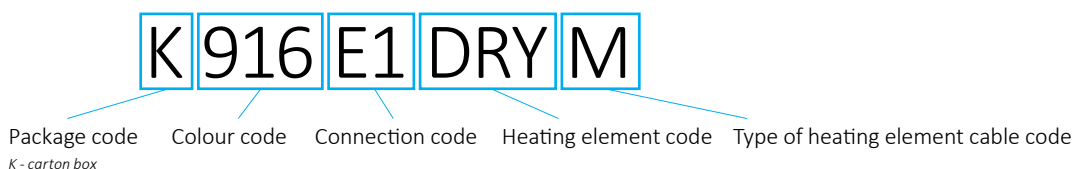
WLBON076050

K916E1DRYM

PRODUCT CODE
(located in the table for the product)

CONFIGURATION CODE
(supplemented by hand)

Example Configuration



Epoxy primer

E - Code of epoxy primer is an extra processes.

WGBON076050 K916SX **E** — Extra processes or additions code

Bone



Legend



Radiator available in a "water" version.



Radiator suitable for dual fuel connection. Electric heating element can be installed.



Radiator available in electric only version. It comes prefilled with a 'heating medium' and equipped with a heating element. All tested and ready to use.



Connection types dedicated for this radiator. The icon shows the flow and return connections for the radiator as well as the thermostatic valve and heating element position if applicable.



Suggested heating element power output for electric and dual fuel versions.



Weight.



Capacity.



Available in chrome finish.



No additional payment for a color.