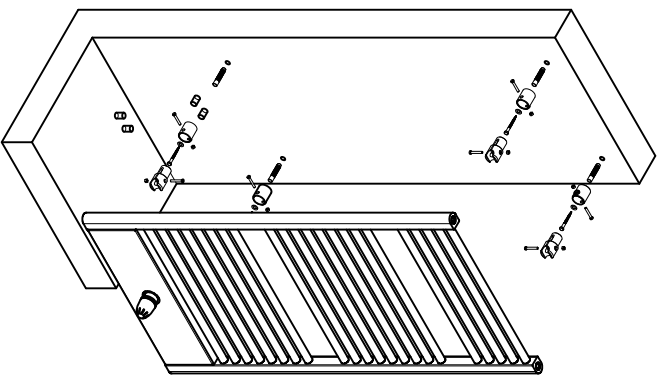
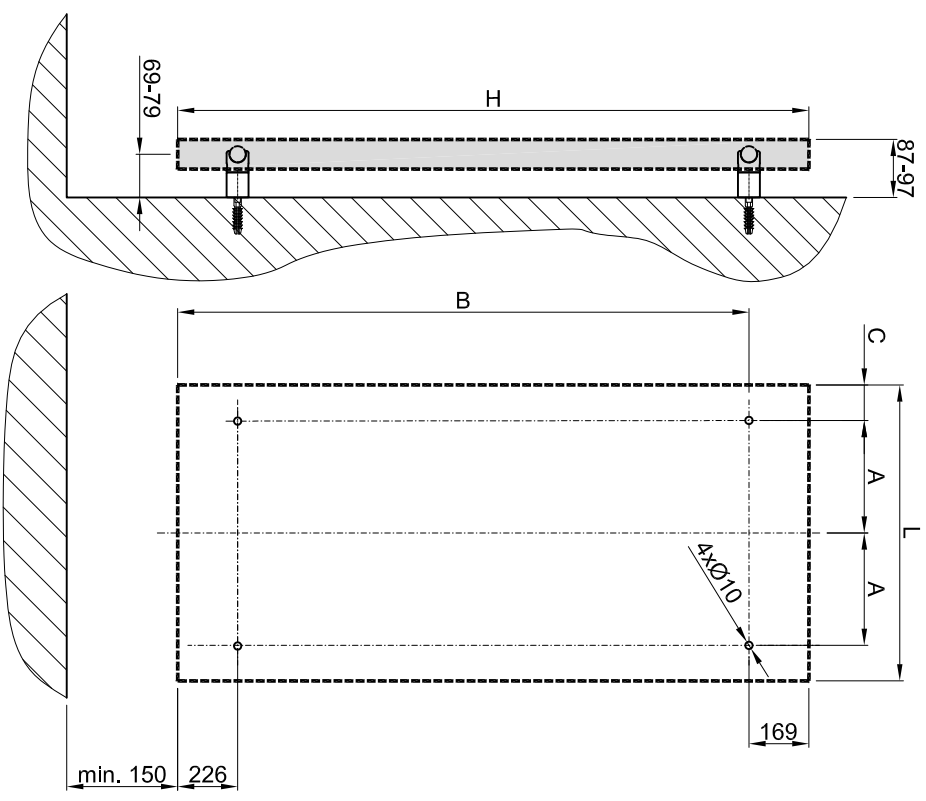


# PALMYRA VALVE



4X	4X	4X	4X	
4X	4X	4X	4X	4X
4X	8X	8X		

H/L [mm]	A [mm]	B [mm]	C [mm]
775/600	220	706	80
1215/600	220	1146	80
1775/600	220	1706	80

**i**

