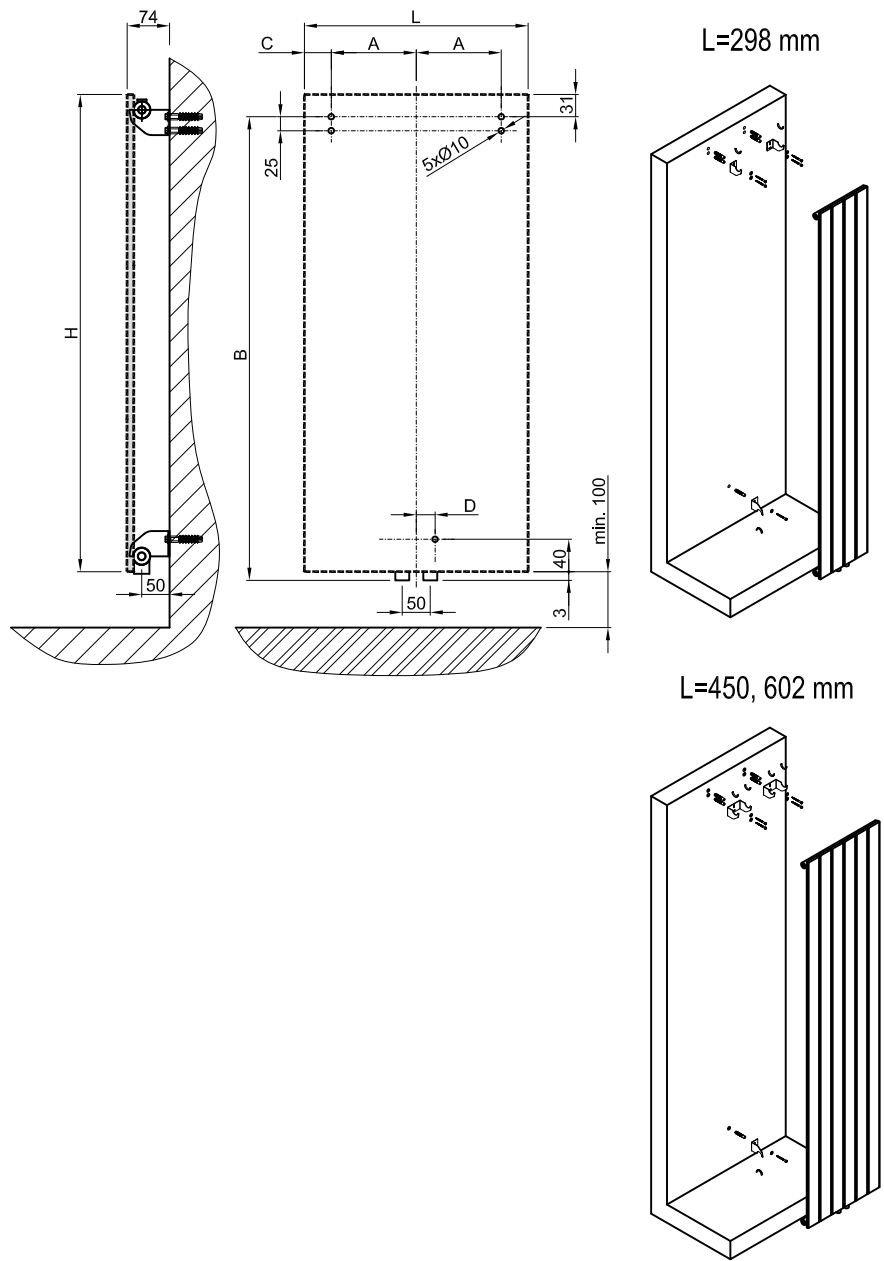
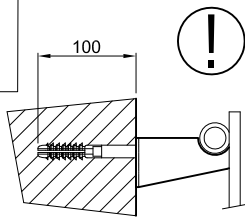
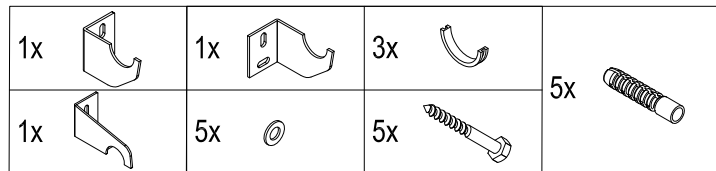


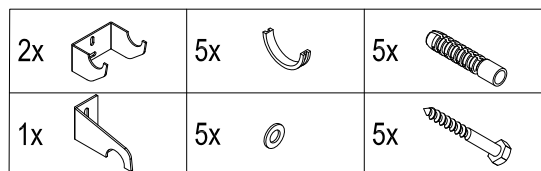
COLLOM



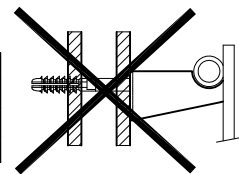
L=298 mm



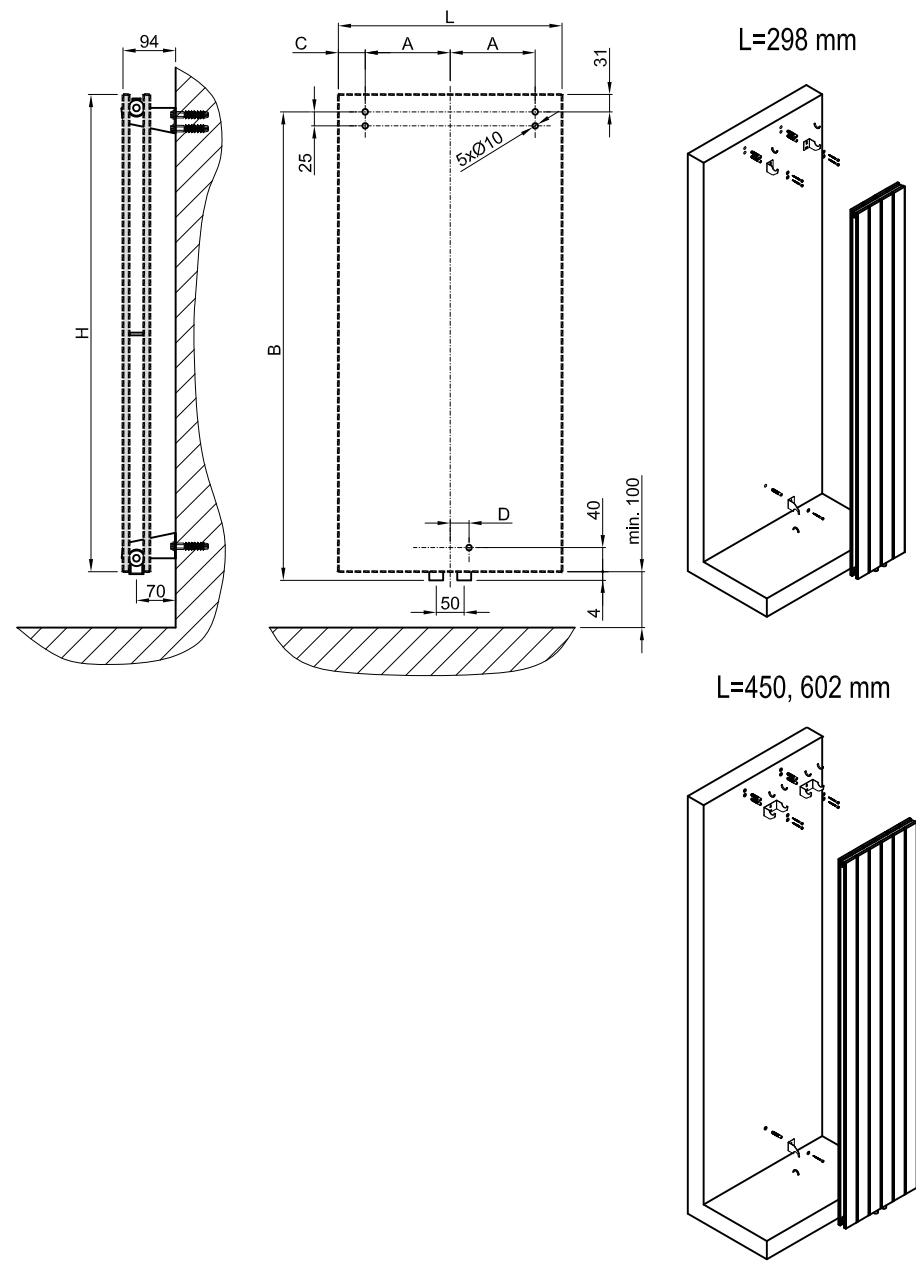
L=450, 602 mm



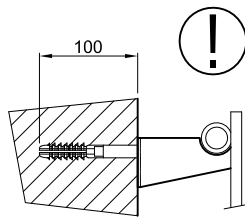
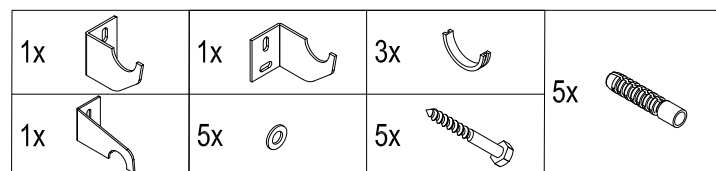
H/L [mm]	A [mm]	B [mm]	C [mm]	D [mm]
1800/298	56,5	1768	92,5	19
1800/450	114	1768	111	19
1800/602	190	1768	111	19



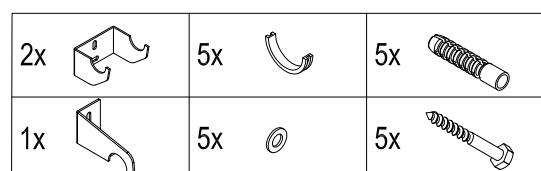
COLLOM DOUBLE



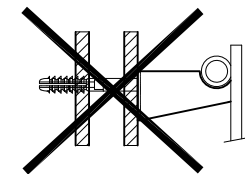
L=298 mm



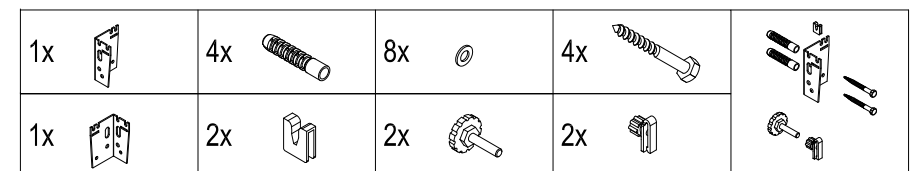
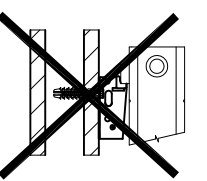
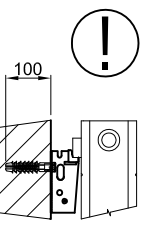
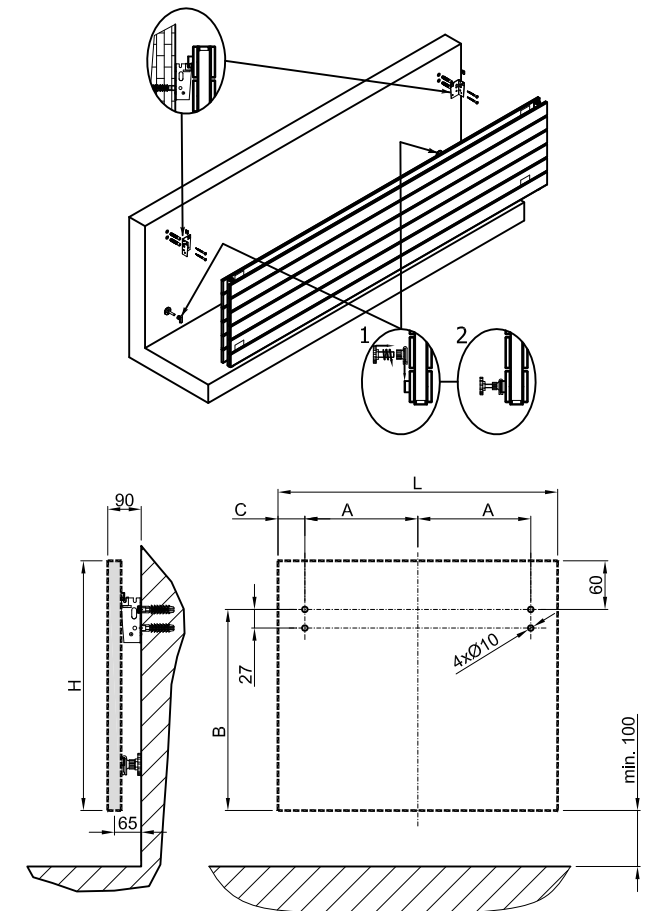
L=450, 602 mm



H/L [mm]	A [mm]	B [mm]	C [mm]	D [mm]
1800/298	56,5	1768	92,5	19
1800/450	114	1768	111	19
1800/602	190	1768	111	19



COLLOM DOUBLE HORIZONTAL



H/L [mm]	A [mm]	B [mm]	C [mm]
602/1000	310	541	130
602/1400	510	541	130
602/1800	710	541	130