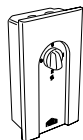
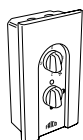


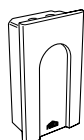
Controls CB



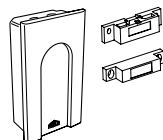
CB30N



CB32N



RTI2



MDC

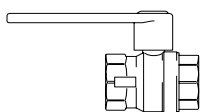


T10S

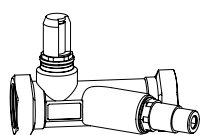
CB30N	AR200A/W, IP44
CB32N	AR200E, IP44
RTI2	IP44
MDC	IP44
T10S	IP30



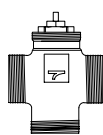
VRS20/25



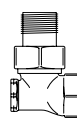
AV20/25



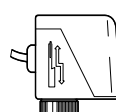
JVF20/25



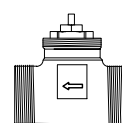
TRVS20/25



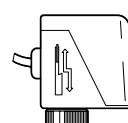
BPV10



SD20



TVVS20/25



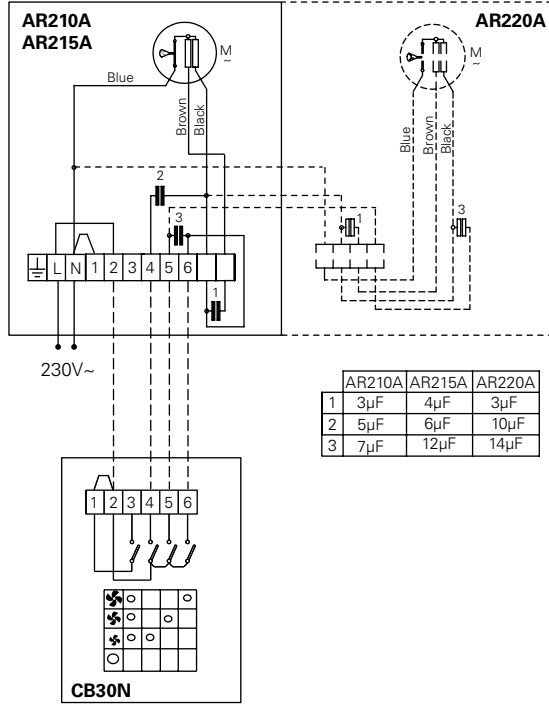
SD20

VRS20	DN20
VRS25	DN25
TVVS20	DN20
TVVS25	DN25
SD20	DN20

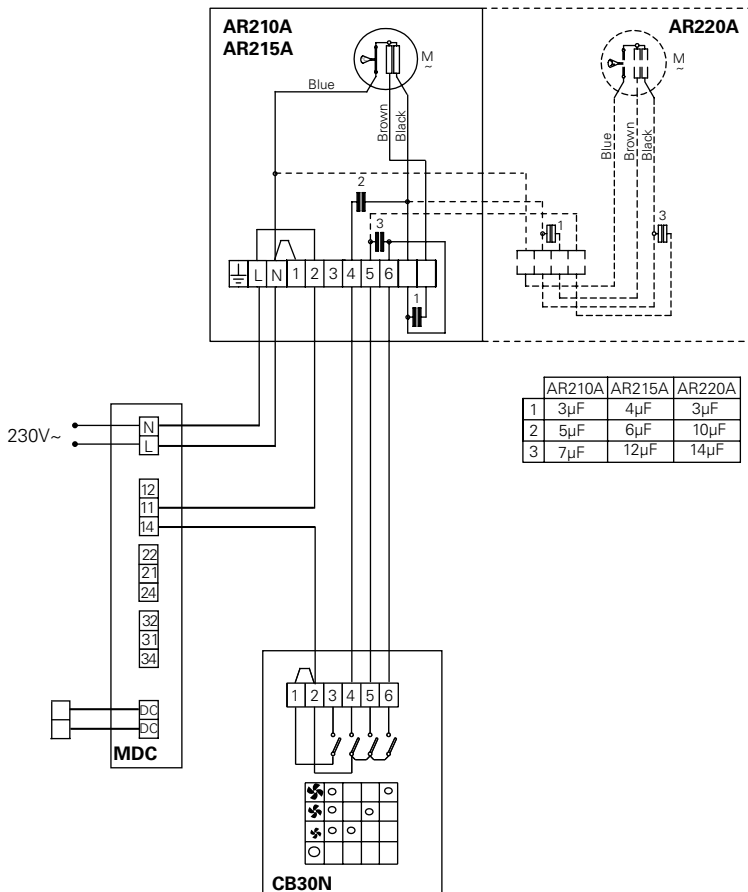
Wiring diagrams AR200 A ↗

Internal / Ambient regulation option

Level 1

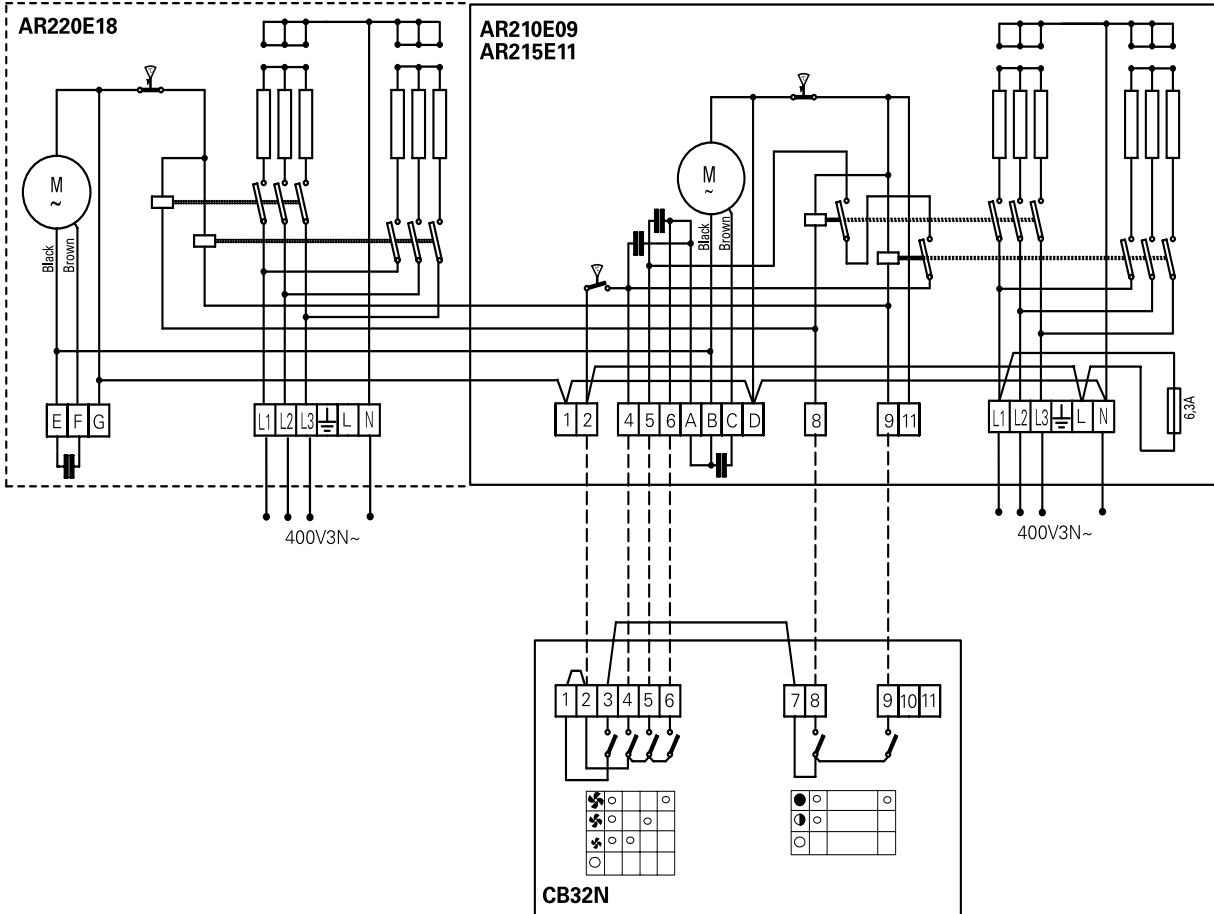


Level 2

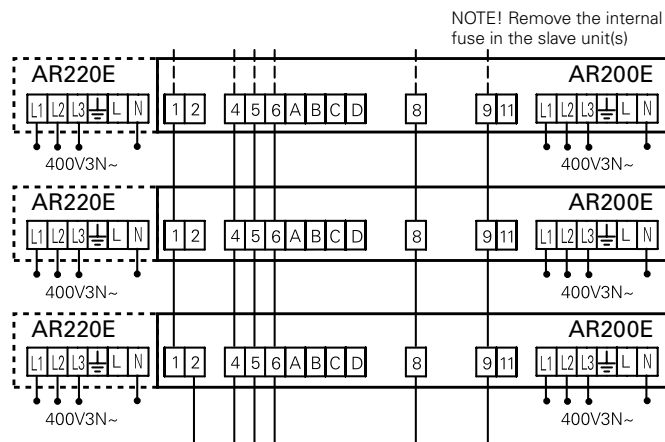


Wiring diagrams AR200 E ⚡

Internal

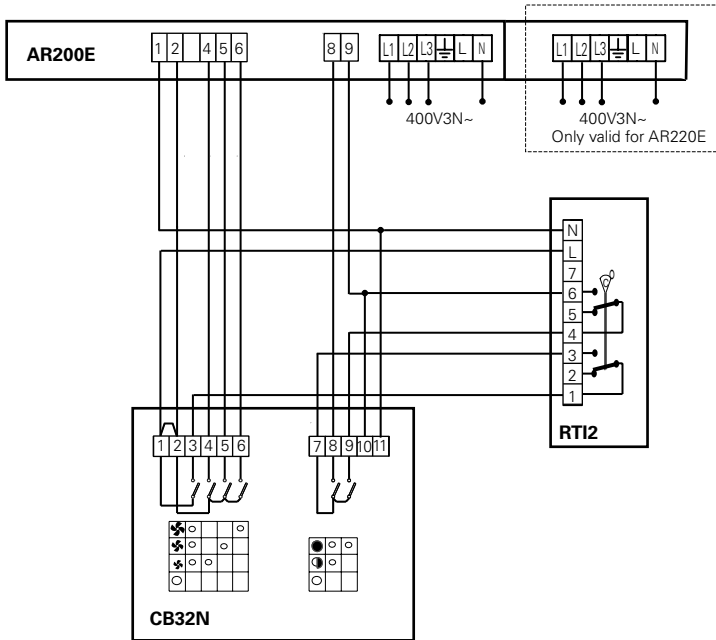


Master-slave

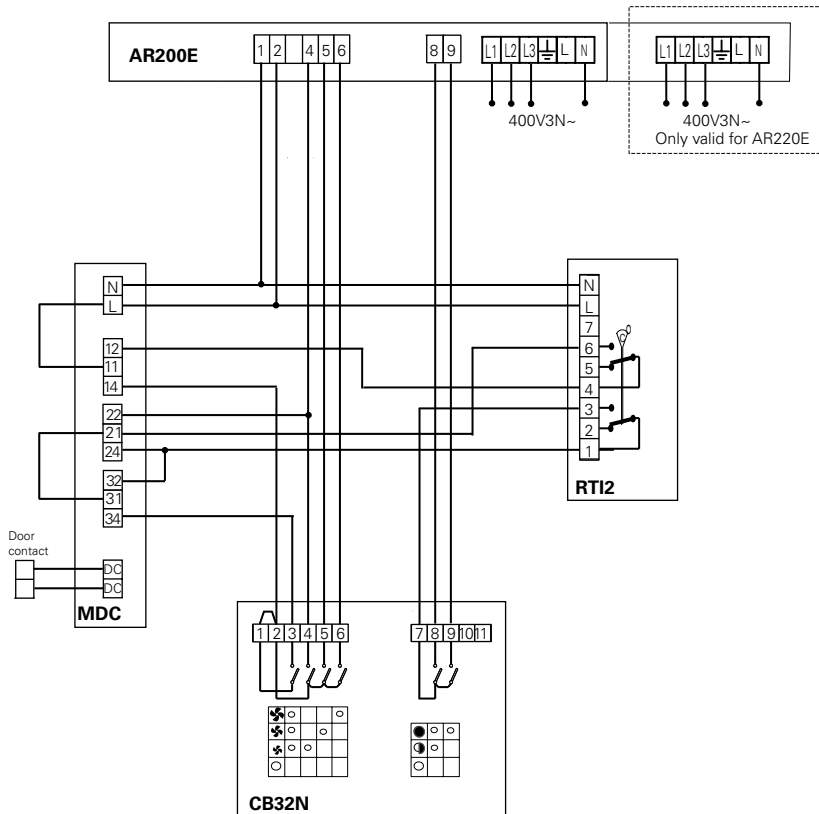


Wiring diagrams AR200 E ⚡

CB32N - Level 1

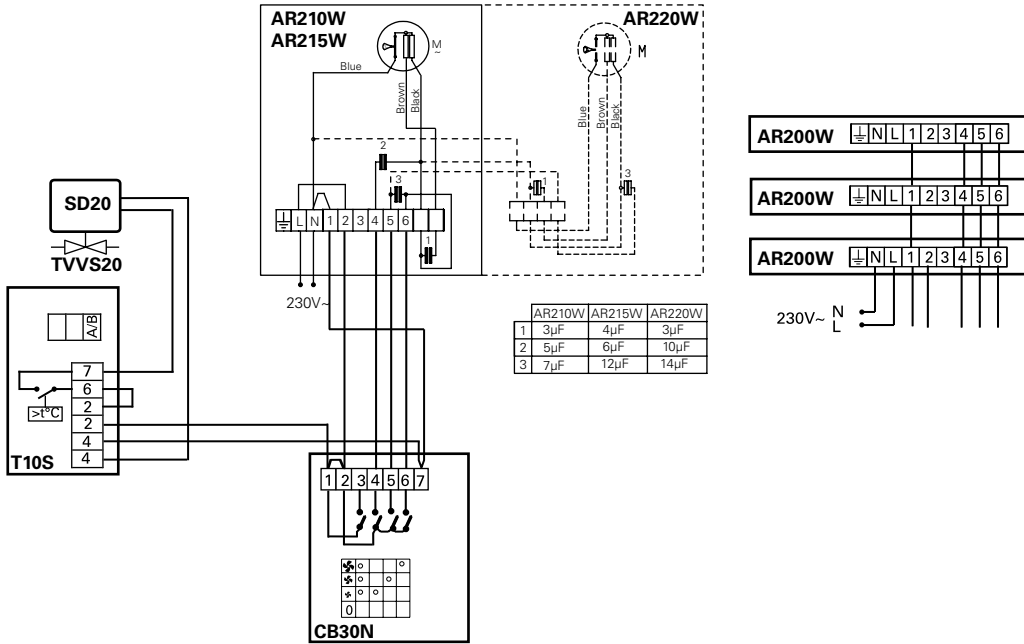


CB32N - Level 2



Wiring diagrams AR200 W ⚡

CB30N - Level 1



CB30N - Level 2

