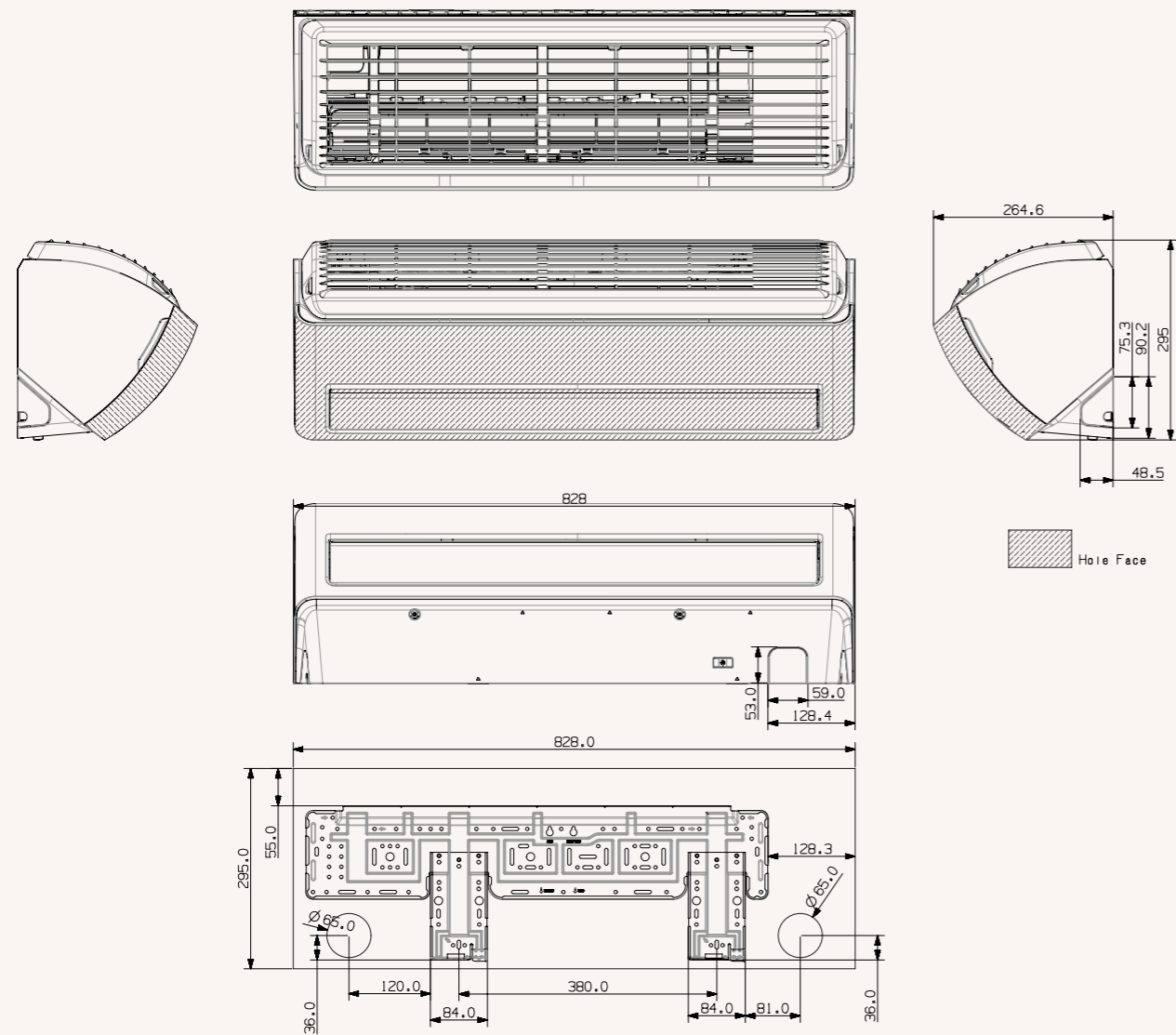


# Dimensional Drawings

## Wind-Free™ Ultra - Indoor

AR09/12NXCXAWKNEU



## Wind-Free™ Ultra - Outdoor

AR09/12NXCXAWKXEU

