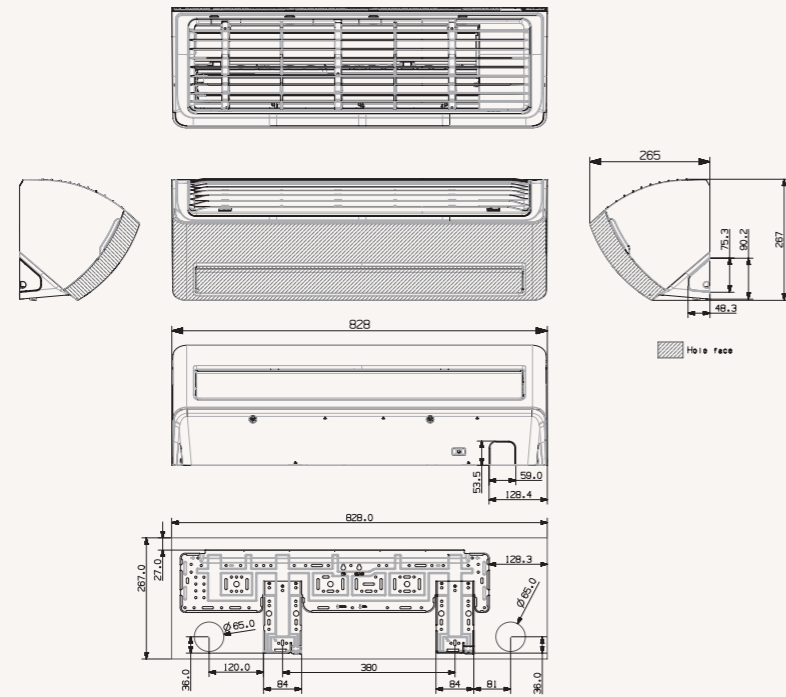


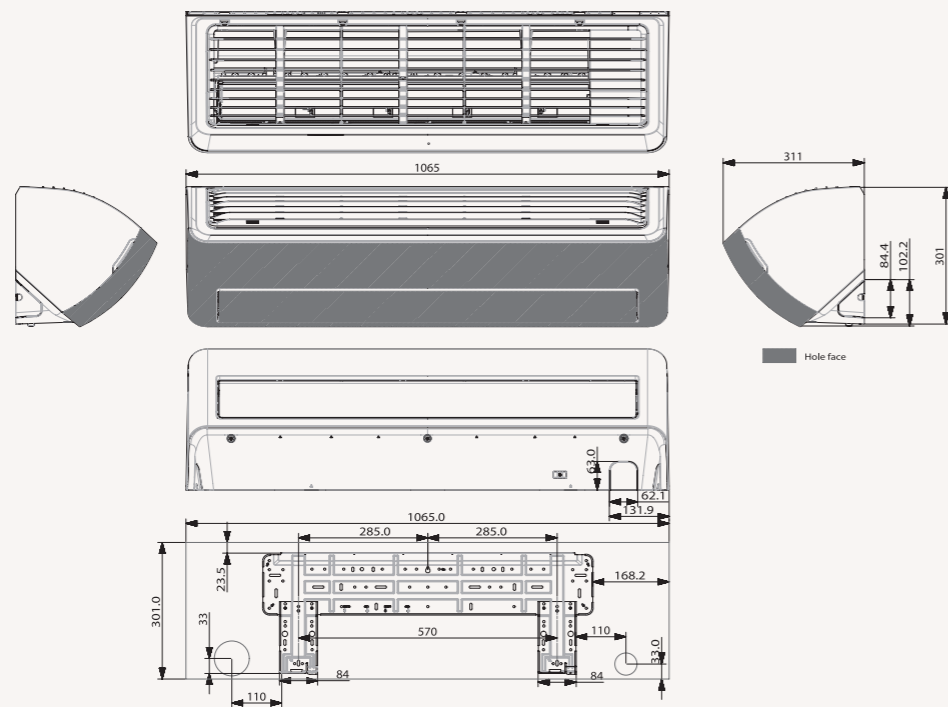
Dimensional Drawings

Wind-Free™ Standard - Indoor

AR09/12RXWCWKNEU

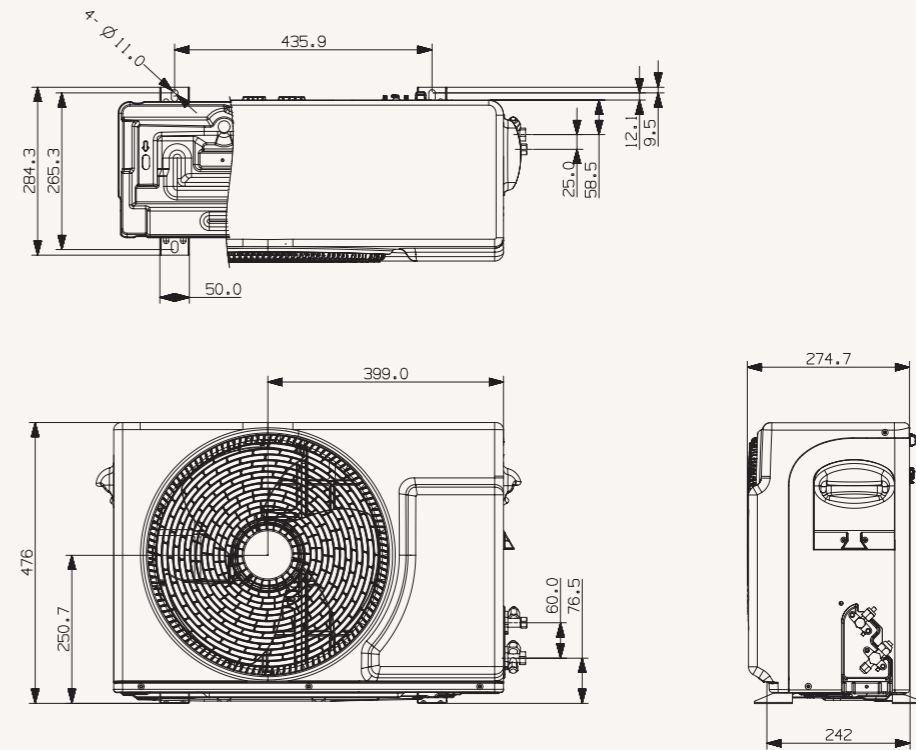


AR18/24RXWCWKNEU



Wind-Free™ Standard - Outdoor

AR09/12RXWCWKXEU



AR18/24RXWCWKXEU

