



# Air conditioner

## Installation manual

PC4SUFMAN

- Thank you for purchasing this Samsung air conditioner.
- Before operating this unit, please read this manual carefully and retain it for future reference.



**SAMSUNG**


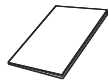


# 4 Way Cassette Wind-Free Panel

## If the Wind-Free function is not visible on the higher-level controller after connecting the Wind-Free panel:

- Check if the software of the higher-level controller is the latest version.
  - If the software is not the latest version, update to the latest version.
  - If the software of the higher-level controller is the latest version but the Wind-Free function is not visible on it, perform tracking again on the higher-level controller or reset its power.
- ※ Higher-level controller: DMS, Touch Centralized Controller, Wi-Fit kit, or other device

## Accessories

Item	Bolt (M5xL35 MACHINE)	Installation manual
Shape		

### NOTE

- If the supplied bolt is lost, you may purchase M5 machine bolt (with length of the thread more than 20 mm long) and a circular washer from any retail hardware store to replace the lost bolt.
- Tightening torque for the M5 screw: 2.0 to 3.0 N·m (20 to 30 kgf·cm)

### CAUTION

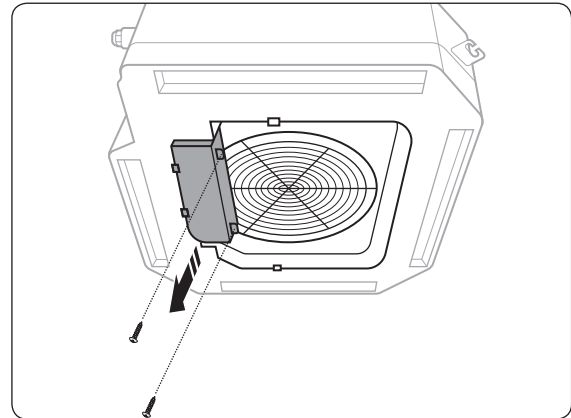
- After installing the product, be sure to explain to the user how to use the air conditioner.

## Installing the panel

### CAUTION

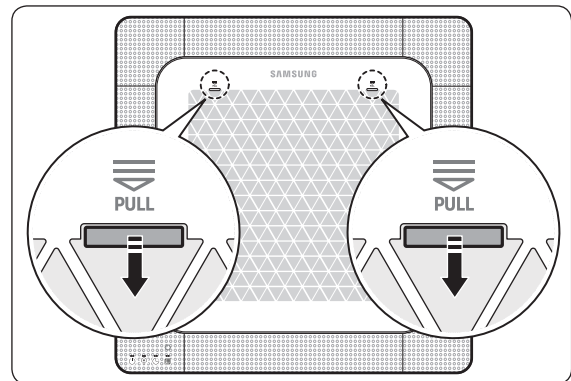
- Handle the panel carefully.
- Do not lean the panel against a wall or place it on a protruding object. Failing to do so may damage the surface of the panel.
- Be careful when installing the air inlet panel by hand. You may get hurt.

- 1 Open the electrical component box cover.
  - After untightening the screws, slide the electrical component box cover in the direction of the arrow as shown in the figure and pull it down.



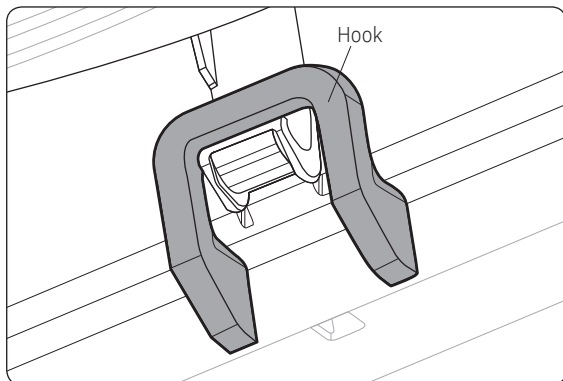
- 2 Pull both hooks in the direction of carved arrows and take the grille to open.

- Hooks are located below the Samsung logo on the grille.

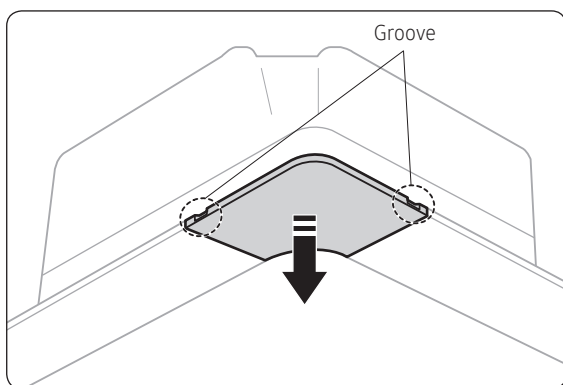




- 3 Hang the panel on the 2 hooks on the both sides of the indoor unit firmly so that the panel not to fall out.

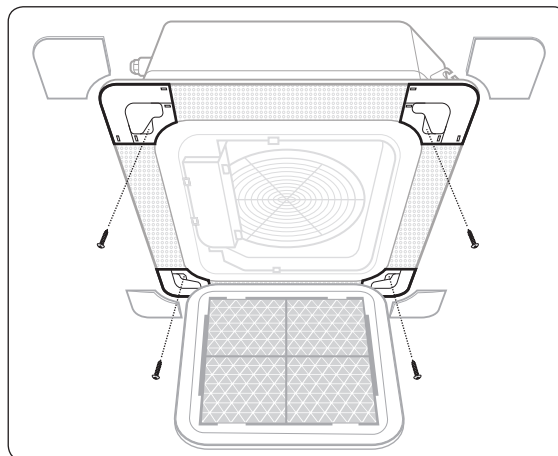


- 4 Detach the 4 corners of the panel. Use two grooves on the each corner of the panels when pulling them out.
- Handle the corner with digital display gently, since there are electrical cables connected to that corner.
  - Each corner portion of the panel is easy for you to adjust the height, but a special tool should be used. Don't use directly hand.



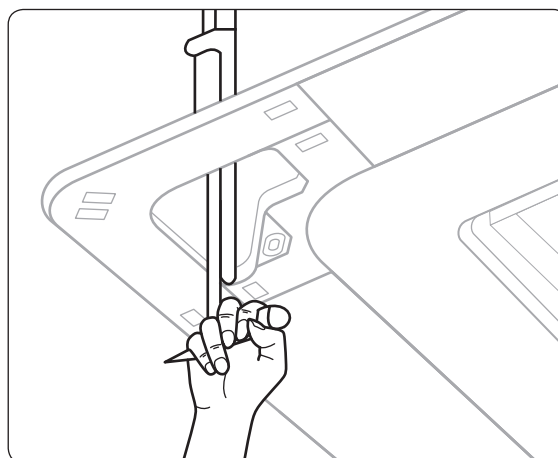
- 5 Fix the bolt to the panel.

- Fix 4 bolts to the panel temporarily.
- Fix them tightly not to make a gap between the panel and the ceiling.



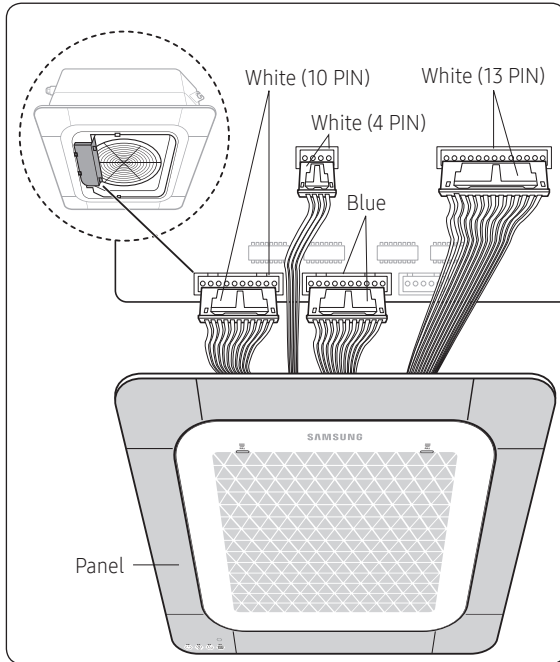
**NOTE**

- Adjustment of the indoor unit height from the holes in the corner of panel is possible.
- Pipe connecting area is not allowed to adjustment of the indoor unit height.

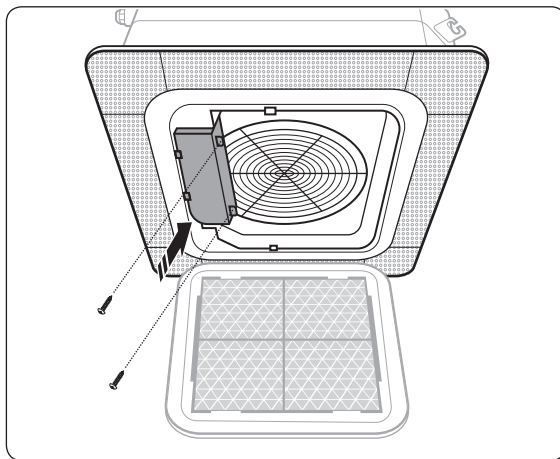


# 4 Way Cassette Wind-Free Panel

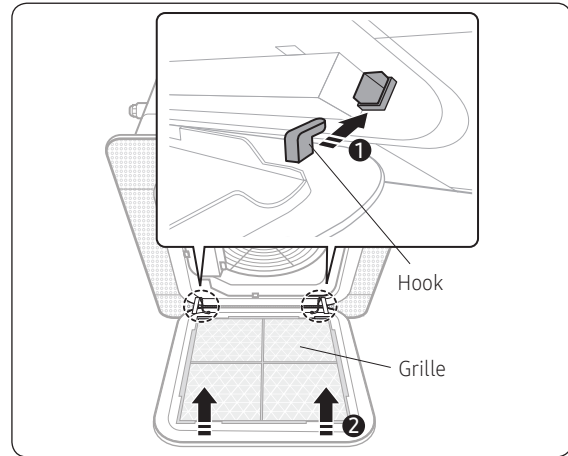
- 6 Connect 4 cables between the indoor unit and the panel.
- Make sure you check the number of pins on the three white terminal before connecting the cables.



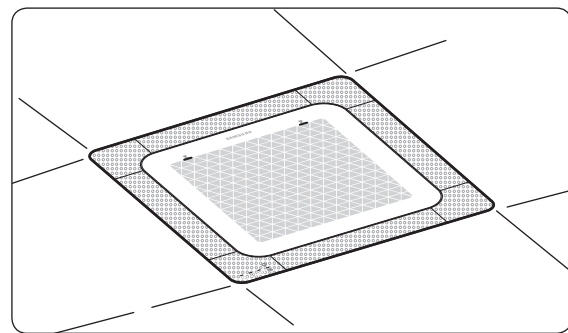
- 7 Close the electrical component box cover and tighten the screws.



- 8 Attach and close the front grille.
- Make sure the hooks on the rear side of grille fits properly into the grooves on panel (1) and then push the panel to close (2).



- 9 Check out that the panel is fixed to the indoor unit.
- Fix screws tightly between the panel and the surface of the ceiling. If the panel is installed incorrectly, air may leak.
  - Do not block any discharge vents in the panel.



## NOTE

- If the angle on the air flow blades has been changed by user due to opening the front grille for installation or maintenance, you must turn off the circuit breaker and turn it on again before using the air conditioner. Otherwise, angles of the each blade can be different or some of the blade may not close when the product is off.



# Memo

---





**SAMSUNG**

This product is RoHS compliant.

