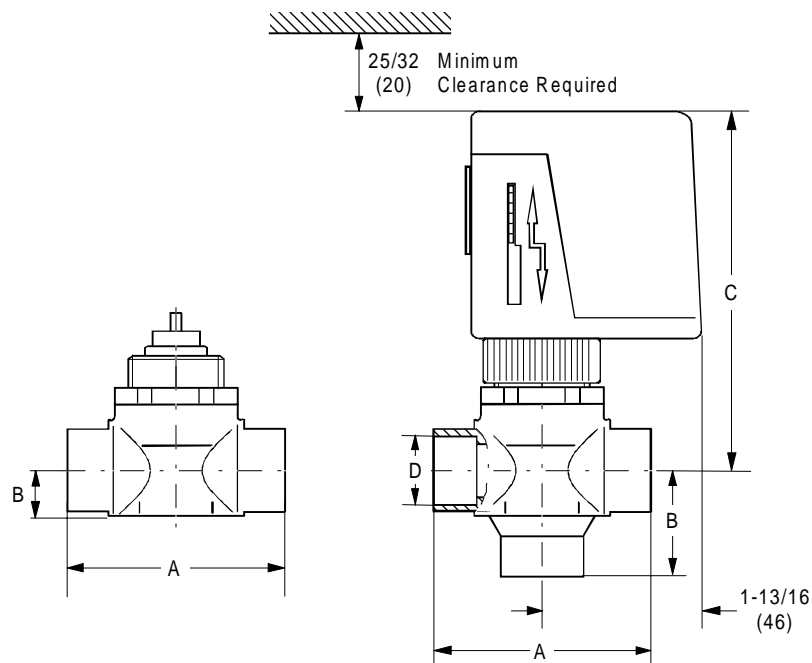


**Technical Data Sheet for
Two-Way N.O. and N.C., and Three-Way Mixing
VG5000 Series Electric Zone Valves**



**Figure 1: Dimensions for VG5000 Series
Electric Zone Valves Featuring Sweat End Connections, in. (mm)
(Refer to Table 1.)**

Table 1: Dimensions, in. (mm)

Dimensions in. (mm)	Two-Way N.O. and N.C. Valves			Three-Way Mixing Valves		
	1/2 in. (DN15)	3/4 in. (DN20)	1 in. (DN25)	1/2 in. (DN15)	3/4 in. (DN20)	1 in. (DN25)
A	2-13/32 (61)	3-1/16 (78)	3-3/4 (95)	2-13/32 (61)	3-1/16 (78)	3-3/4 (95)
B	1/2 (13)	21/32 (17)	21/32 (17)	1-7/32 (31)	1-17/32 (39)	1-29/32(48)
C	3-15/16 (100)	4-1/16 (103)	4-3/16 (106)	3-15/16 (100)	4-3/32 (104)	4-1/4 (108)
D	5/8 (16)	7/8 (22)	1-1/8 (29)	5/8 (16)	7/8 (22)	1-1/8 (29)

Table 2: Ordering Data

V	G	Valve Global																
1	2	5	Product 5 = Electric Zone Valve															
		3	Family															
		2	Body 2 = Two-Way N.O. (PDTC)															
		4	Type 4 = Two-Way N.C. (PDTO) 8 = Three-Way Mixing															
		4	End 4 = Threaded (NPT)															
		5	Connections 7 = Sweat Ends															
		0	Trim 0 = Stainless Steel Stem, Rubber EPT Plug, Flat Disk															
		6	Size and Maximum Cv															
		E	C										Threaded (NPT)		Sweat Ends			
		7	8										N.O.	N.C.	Mix	N.O.	N.C.	Mix
				<i>(Kv = BC = 1/2 in. (DN15)</i>									---	---	---	0.46	---	---
				<i>CV x 0.857) CC = 1/2 in. (DN15)</i>									0.74	0.74	0.74	0.74	0.74	---
				DC = 1/2 in. (DN15)									1.17	1.17	1.17	1.17	1.17	---
				EC = 1/2 in. (DN15)									1.9	1.9	1.9	1.9	1.7	1.7
				HC = 3/4 in. (DN20)									---	1.9	---	---	1.9	---
				JC = 3/4 in. (DN20)									3.0	3.0	3.0	3.0	3.0	---
				KC = 3/4 in. (DN20)									4.1	4.1	4.1	4.1	3.7	3.7
				FC = 1 in. (DN25)									---	3.0	---	---	3.0	---
				LC = 1 in. (DN25)									---	4.7	---	4.7	4.7	---
				MC = 1 in. (DN25)									6.4	6.4	6.4	6.4	5.8	5.8
		+	Actuator + = Factory-Mounted Actuator															
		9	Mounting <i>(Leave fields 9 through 14 blank for valve without factory-mounted actuator.)</i>															
		7	0	1	0							Actuator 7010 = VA-7010 Two-Position <i>(Avail. on All Valve Body Types)</i>						
		10	11	12	13							Style 7450 = VA-7450 Incremental <i>(Avail. on N.O. and Three-Way Mixing Valve Body Types Only)</i>						
												7452 = VA-7452 Proportional						
		G	Supply Voltage									VA-7010	VA-7450	VA-7452				
		14	A = 120 VAC									-8002	---	---				
			D = 230 VAC									-8003	---	---				
			G = 24 VAC									-8001	-10011	-90011				
			F = 208 VAC									-8006	---	---				
			S = 277 VAC									-8007	---	---				

1 2 3 4 5 6 7 8 9 10 11 12 13 14 = Field

V	G	5	2	4	0	E	C	+	7	0	1	0	G
Valve									Actuator				

Example: Electric zone valve, two-way N.O. (PDTC), threaded (NPT) end connections, stainless steel stem, rubber EPT plug, flat disk, 1/2 in. (DN15), 1.9 Cv, factory-mounted VA-7010-8001 Electric Actuator, 24 VAC supply.



Controls Group
507 E. Michigan Street
P.O. Box 423
Milwaukee, WI 53201

Printed in U.S.A.
www.johnsoncontrols.com