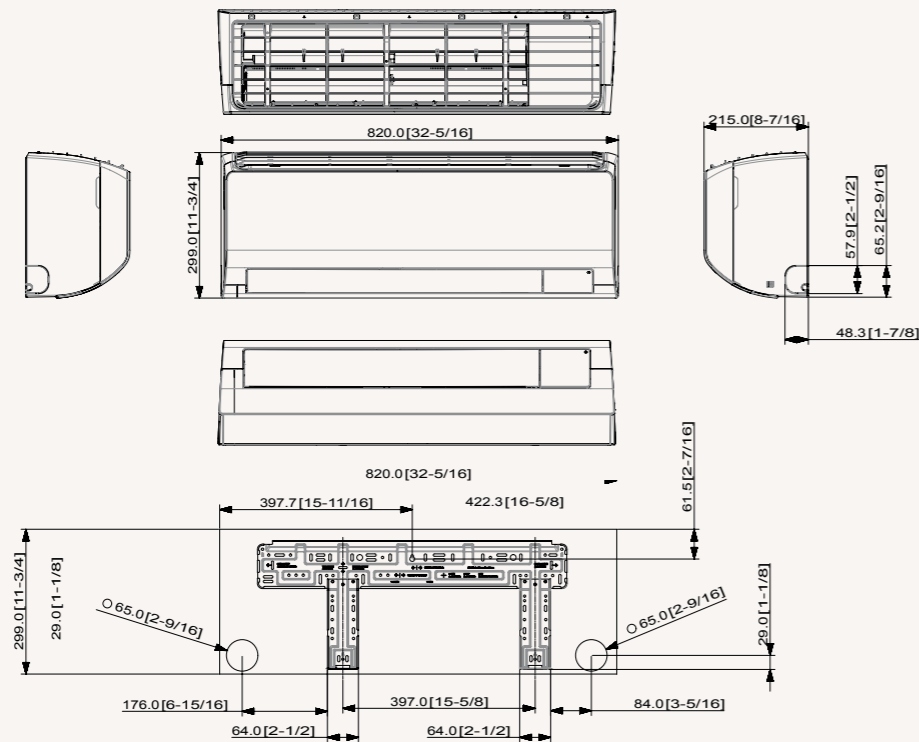


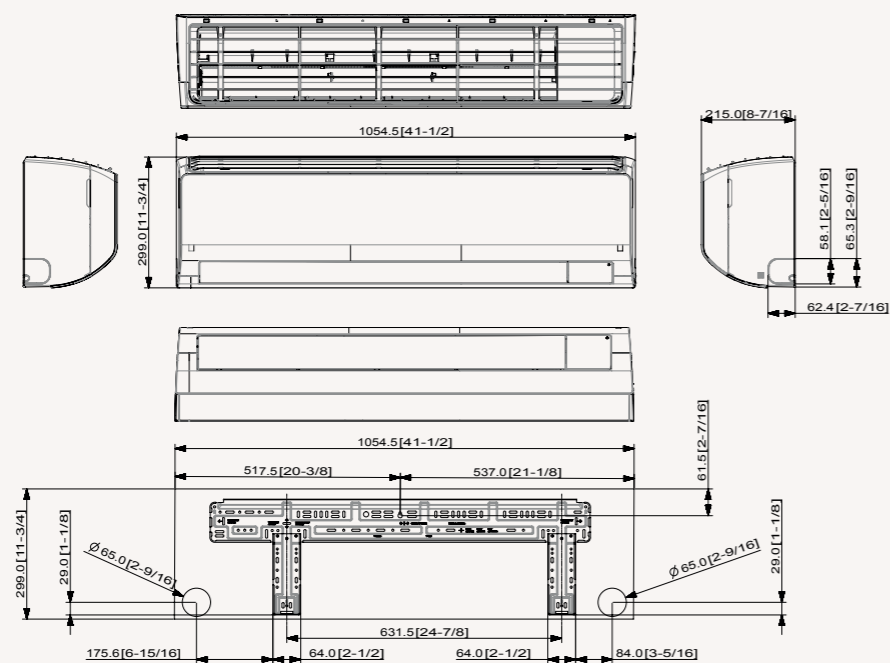
Dimensional drawings

Wind-Free™ Comfort - Indoor

AR09/12TXFCWKNEU

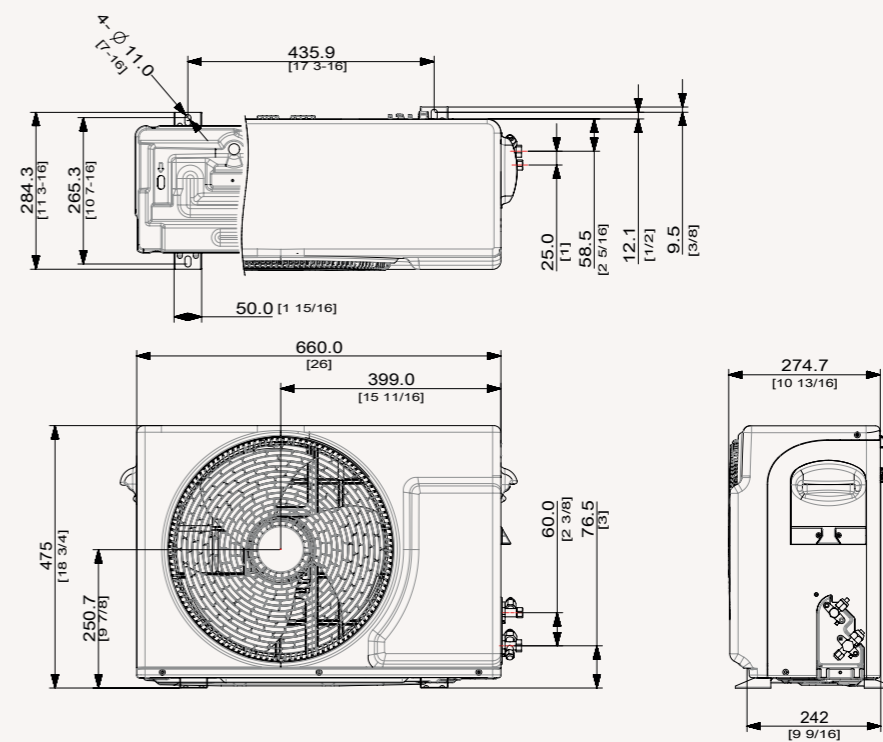


AR18/24TXFCWKNEU



Wind-Free™ Comfort - Outdoor

AR09/12TXFCWKXEU



AR18/24TXFCWKXEU

