

RACCORDI

Tube connections

ART. 0280	Raccordo per tubo rame a tenuta PTFE. <i>Copper tube connection with PTFE seal.</i>
ART. 0281 0381 0481	Raccordo per tubo rame a tenuta O-ring. <i>Copper tube connection with O-ring seal.</i>
ART. 0282	Raccordo per tubo plastico. <i>Plastic tube connection.</i>
ART. 0283 0383 0483	Raccordo per tubo multistrato. <i>Multilayer tube connection.</i>
ART. E281 E381 E481	Raccordo EUROCONO per tubo rame a tenuta O-ring. <i>EUROCONUS copper tube connection with O-ring seal.</i>
ART. E282	Raccordo EUROCONO per tubo plastico. <i>EUROCONUS plastic tube connection.</i>
ART. E283 E383 E483	Raccordo EUROCONO per tubo multistrato. <i>EUROCONUS multilayer tube connection.</i>



0280



0281 - E281



0381 - 0481
E381 - E481



0282 - E282



0283 - E283



0383 - 0483
E383 - E483



PRESTAZIONI

Fluidi d'impiego	Acqua, soluzioni glicolate
Percentuale di glicole max	30%
Max pressione d'esercizio	10 bar
Max Temp. d'esercizio	100°C

MATERIALI

Calotta	Ottone stampato: CW617N - UNI EN 12165
Componenti interni	Ottone trafilato: CW614N - UNI EN 12164
Ogiva (solo per art. 0280)	PTFE
Elementi di tenuta	Gomma EPDM PEROX

PERFORMANCE

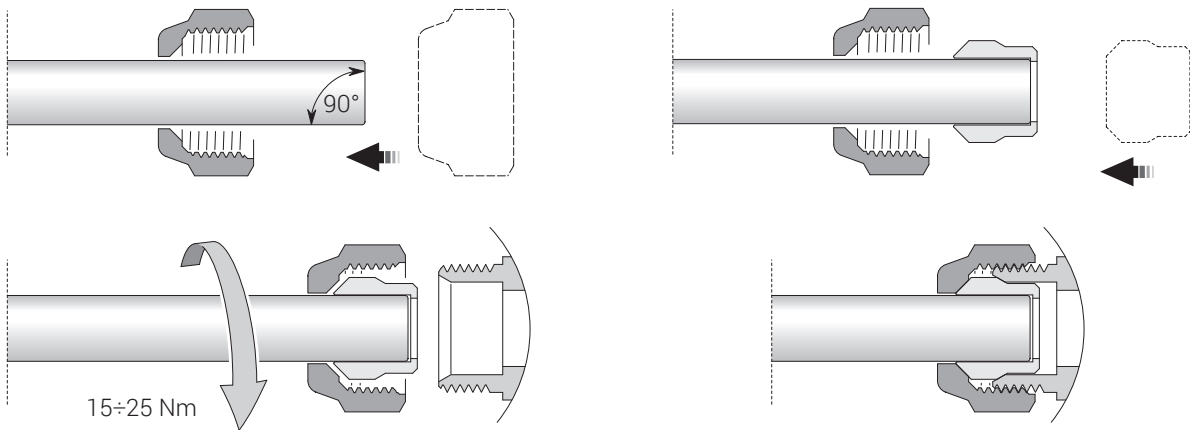
<i>Employed fluids</i>	<i>Water, antifreeze solutions</i>
<i>Max. percentage of glycol</i>	<i>30%</i>
<i>Max working pressure</i>	<i>10 bar</i>
<i>Max working temperature</i>	<i>100°C</i>

MATERIALS

<i>Nut</i>	<i>Pressed brass: CW617N UNI EN 12165</i>
<i>Inside components</i>	<i>Extruded brass: CW614N UNI EN 12164</i>
<i>Olive (only for art. 0280)</i>	<i>PTFE</i>
<i>Seal elements</i>	<i>EPDM PEROX rubber</i>

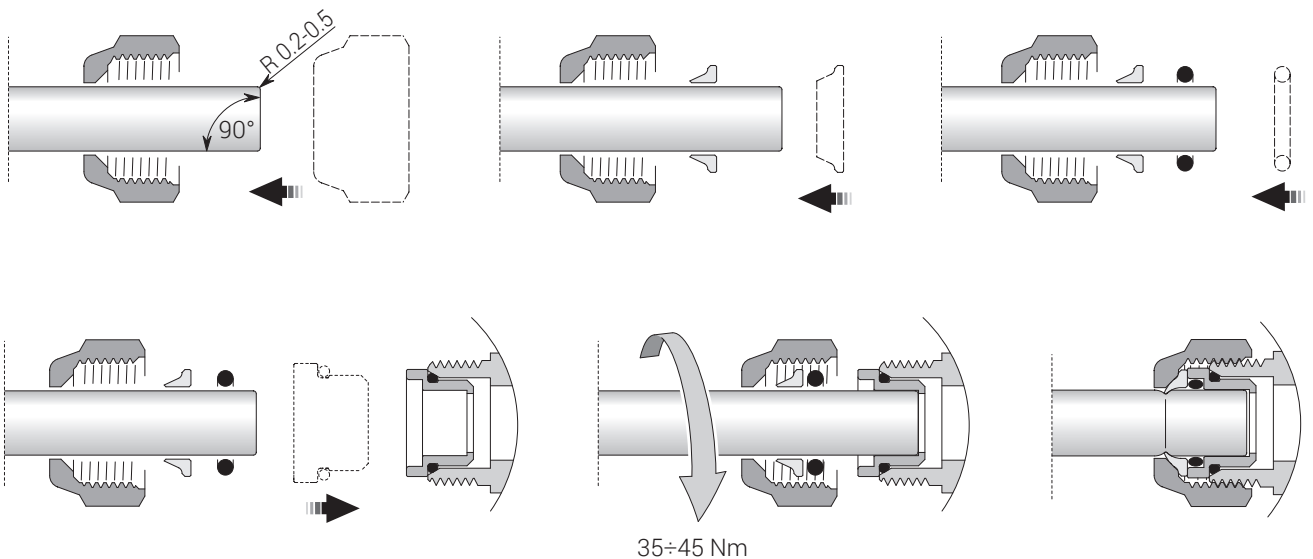
Art. 0280 - Istruzioni Instructions

Per tubo rame *For copper tube*



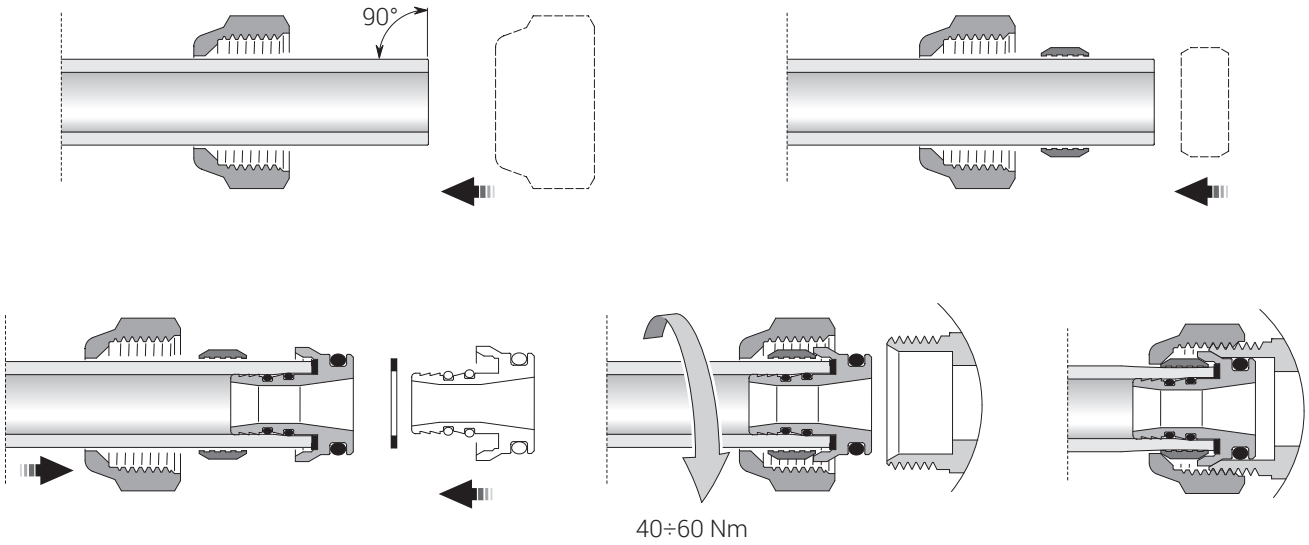
Art. 0281, 0381, 0481, E281, E381, E481 - Istruzioni Instructions

Per tubo rame *For copper tube*



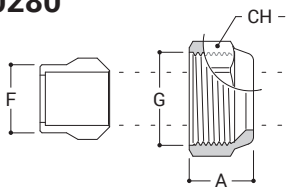
Art. 0282, 0283, 0383, 0483, E282, E283, E383, E483 - Istruzioni Instructions

Per tubo plastico o multistrato For plastic or multilayer tube



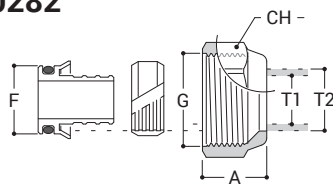
Disegni Drawings

0280



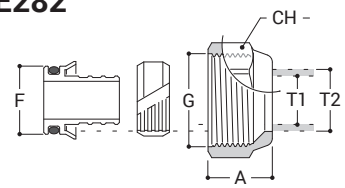
G	F	T	A	CH
1/2"	16	10	15	24
1/2"	16	12	15	24
1/2"	16	14	15	24
1/2"	16	15	15	24
1/2"	16	16	15	24
24x19	18	10	17	27
24x19	18	12	17	27
24x19	18	14	17	27
24x19	18	15	17	27
24x19	18	16	17	27
24x19	18	18	17	27

0282



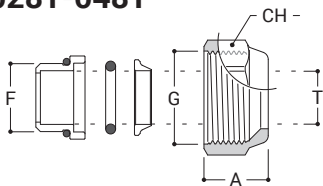
G	F	T1	T2	A	CH
24x19	18	8	12	17	27
24x19	18	10	15	17	27
24x19	18	12	16	17	27
24x19	18	13	18	17	27
24x19	18	14	18	17	27

E282



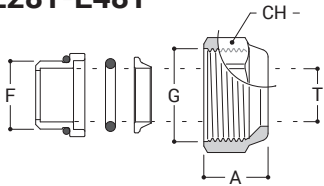
G	F	T1	T2	A	CH
3/4"	18	8	12	17	30
3/4"	18	10	15	17	30
3/4"	18	12	16	17	30
3/4"	18	13	18	17	30
3/4"	18	14	18	17	30

0281-0481



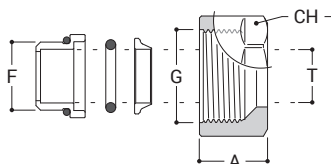
G	F	T	A	CH
1/2"	16	10	15	24
1/2"	16	12	15	24
1/2"	16	14	15	24
24x19	18	10	17	27
24x19	18	12	17	27
24x19	18	14	17	27
24x19	18	15	17	27
24x19	18	16	17	27
24x19	-	18	17	27

E281-E481



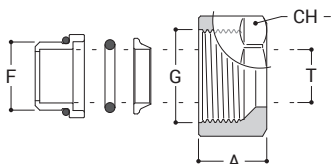
G	F	T	A	CH
3/4"	18	10	17	30
3/4"	18	12	17	30
3/4"	18	14	17	30
3/4"	18	15	17	30
3/4"	18	16	17	30

0381



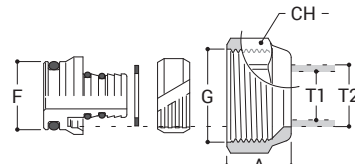
G	F	T	A	CH
24x19	18	10	18	28
24x19	18	12	18	28
24x19	18	14	18	28
24x19	18	15	18	28
24x19	18	16	18	28
24x19	-	18	18	28

E381



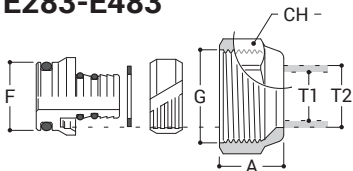
G	F	T	A	CH
3/4"	18	10	18	28
3/4"	18	12	18	28
3/4"	18	14	18	28
3/4"	18	15	18	28
3/4"	18	16	18	28

0283-0483



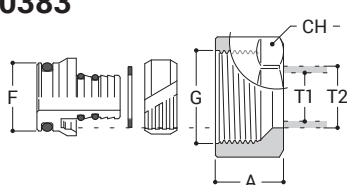
G	F	T1	T2	A	CH
1/2"	16	9,5/10	14	15	24
1/2"	16	11,5/12	16	15	24
24x19	18	7,5/8	12	17	27
24x19	18	9,5/10	14	17	27
24x19	18	9,5/10	15	17	27
24x19	18	10,5/11	15	17	27
24x19	18	10,5/11	16	17	27
24x19	18	11,5/12	16	17	27
24x19	18	11,5/12	17	17	27
24x19	18	12,5/13	17	17	27
24x19	18	12,5/13	18	17	27
24x19	18	13,5/14	18	17	27
24x19	18	14,5/15	20	17	27
24x19	18	15/15,5	20	17	27
24x19	18	15,5/16	20	17	27

E283-E483



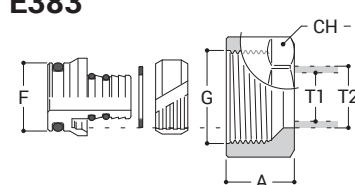
G	F	T1	T2	A	CH
3/4"	18	7,5/8	12	17	30
3/4"	18	9,5/10	14	17	30
3/4"	18	9,5/10	15	17	30
3/4"	18	10,5/11	15	17	30
3/4"	18	10,5/11	16	17	30
3/4"	18	11,5/12	16	17	30
3/4"	18	11,5/12	17	18	30
3/4"	18	12,5/13	17	18	30
3/4"	18	12,5/13	18	20	30
3/4"	18	13,5/14	18	20	30
3/4"	18	14,5/15	20	21	30
3/4"	18	15/15,5	20	21	30
3/4"	18	15,5/16	20	21	30

0383



G	F	T1	T2	A	CH
24x19	18	7,5/8	12	17	28
24x19	18	9,5/10	14	17	28
24x19	18	9,5/10	15	17	28
24x19	18	10,5/11	15	17	28
24x19	18	10,5/11	16	17	28
24x19	18	11,5/12	16	17	28
24x19	18	11,5/12	17	17	28
24x19	18	12,5/13	17	17	28
24x19	18	12,5/13	18	17	28
24x19	18	13,5/14	18	17	28
24x19	18	14,5/15	20	17	28
24x19	18	15/15,5	20	17	28
24x19	18	15,5/16	20	17	28

E383



G	F	T1	T2	A	CH
3/4"	18	7,5/8	12	17	28
3/4"	18	9,5/10	14	17	28
3/4"	18	9,5/10	15	17	28
3/4"	18	10,5/11	15	17	28
3/4"	18	10,5/11	16	17	28
3/4"	18	11,5/12	16	17	28
3/4"	18	11,5/12	17	18	28
3/4"	18	12,5/13	17	18	28
3/4"	18	12,5/13	18	20	28
3/4"	18	13,5/14	18	20	28
3/4"	18	14,5/15	20	21	28
3/4"	18	15/15,5	20	21	28
3/4"	18	15,5/16	20	21	28