

KTX 3



photo: white, connection block under masking cover



Functions and features:

Functionality

The KTX 3 offers adjustable temperature levels ranging from 30°C to 60° in steps of 1°C. An electronic temperature sensor guarantees precise temperature control. The device displays the current set temperature level and indicates the status of the heating cycle or standby state. It also has an easy interface for controller programming. The KTX 3 utilises the Terma-Split System allowing disconnection of the heating element (Terma Split) from the controller.

Daily Timer

A 24-hour timer allows you to program up to 4 intervals for heating at a pre-selected temperature or to switch between heating and power off states.

Dryer Function

A function that allows a controlled temperature and drying time, after which the heater will return back to its previous state.

Intelligent Building Systems

In the event of a power failure, the heating element remembers the previous setting (last setting used) enabling collaboration with external timers and intelligent building systems.

Safety

The KTX 3 is equipped with a 'frost' protection (ANTIFREEZE). It also has double protection against the heating element overheating. A device error or malfunction

is identified by a display of error codes. The KTX3 also has an additional safety feature that prevents it working in a dry radiator.

Design

Equipped with an easy to read LCD display with clock. A version with cable masking cover, additional power on/off switch and screw connection is also available.

Colour

Available colours: white, silver, chrome and black. Heating element can also be offered in any RAL colour and Terma special colours (including brass and gold) subject to a minimum order of 100 pcs per colour.

Specifications:

Power supply:	230 V / 50 Hz
Heating element:	Terma Split I
Device protection class:	Class I
Radiator connection:	G 1/2"
Ingress protection [IP]:	IPx4: version MS (screw terminals); IPx5: version with cable

Table configurations:

Example of product code: **WE**^{Packaging code}**KT3**^{Model code} **K**^{Colour or finish code}**SMA**^{Cable type and plug code}**W**
Code elements highlighted in colour.

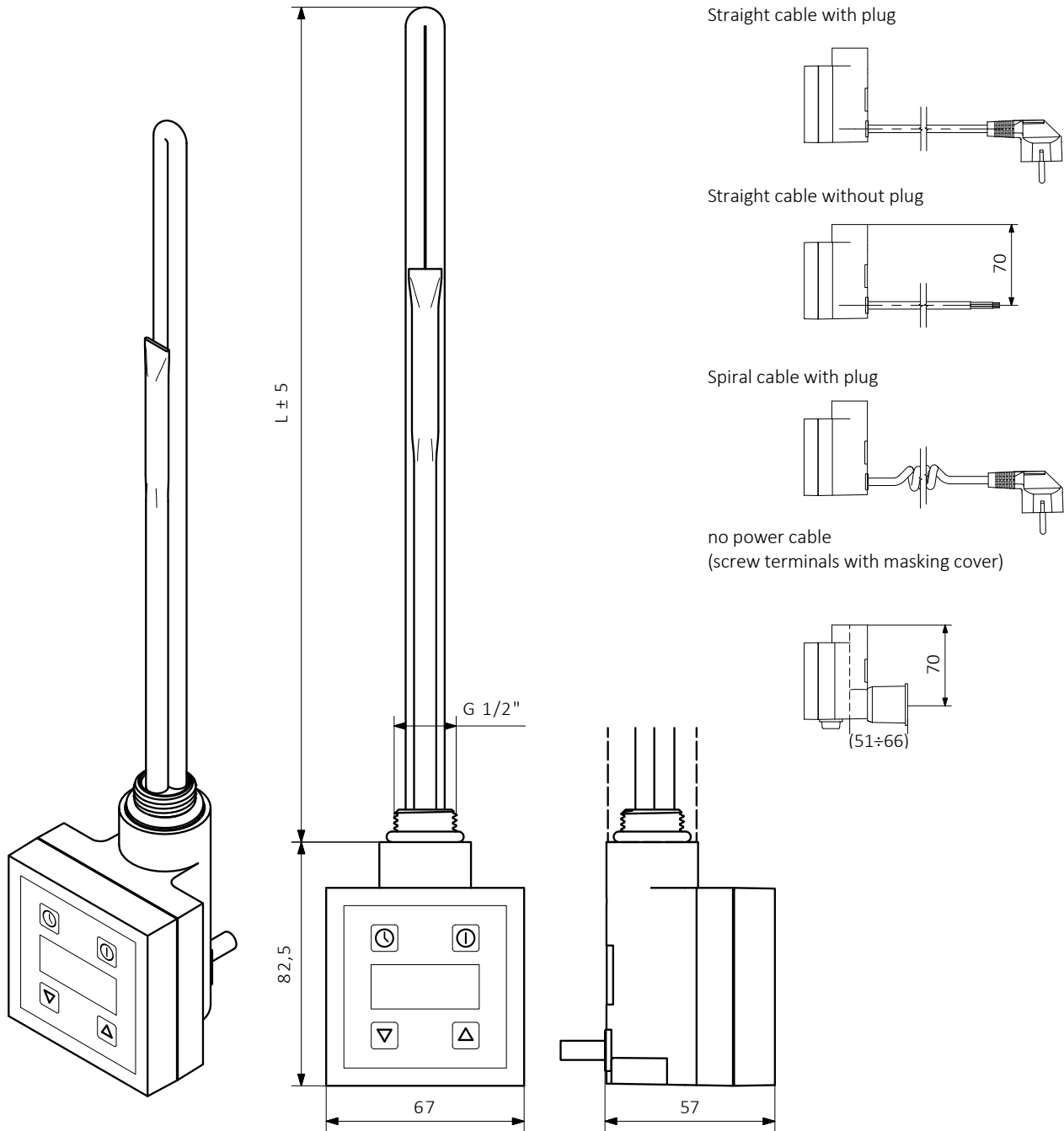
KTX 3

Model	Power [W]	Packaging	Colour	Cable Type
WE KT3 KTX 3	– controller only	K box	916 white SMA silver CRO chrome 905 black	W straight cable with plug P straight cable without plug U spiral cable with plug S no power cable (screw terminals with masking cover)

TS1 — heating element

Model	Power [W]	Packaging	Colour	Split connector
WE TS1 Terma Split	01 120 02 200 03 300 04 400 06 600 08 800 10 1000	K box	--- n/a	D split connector class I

KTX 3



L [mm]	325	285	310	345	375	485	575
Power [W]	120	200	300	400	600	800	1000