

REG 2



photo: white, straight cable



Functions and features:

Functionality

REG 2 maintains a constant temperature of 65°C and is equipped with a bimetallic temperature sensor. A small, spherical controller indicates on/off operation by the display of an LED.

Intelligent Building Systems

REG 2 is suitable for connection to external timers and intelligent building systems.

Safety

REG 2 is equipped with a double protection against overheating of the radiator

Design

REG 2 is one of the smallest heating elements on the market. Its main objective is simplicity of use. It does not have an on/off switch on its housing so it must be activated externally either by a timer or switched fused spur. A version equipped with plug with a on/off switch is available.

Colour

Available colours: white, silver, chrome and black. Heating element can also be offered in any RAL colour and Terma special colours (including brass and gold) subject to a minimum order of 100 pcs per colour.

Specifications:

Power supply:	230 V AC
Device protection class:	Class I
Radiator connection:	G 1/2"
Ingress protection [IP]:	IPx5

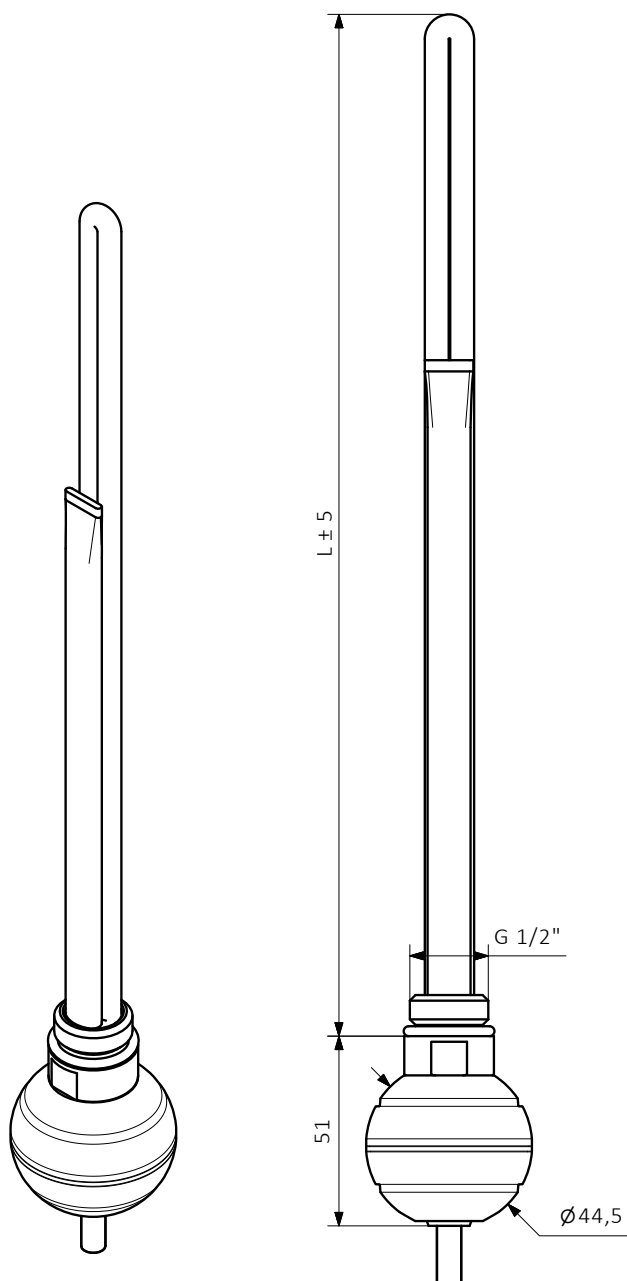
Table configurations:

Example of product code: **WE**_{Model code}**R2G**_{Element power code}**04**_{Colour or finish code}**T**_{Packaging code}**SMA**_{Cable type and plug code}**W**

Code elements highlighted in blue

Model	Power [W]	Packaging	Colour	Cable Type
WE R2G REG 2	01 120	F Foil sleeve	916 White	W Straight cable with plug
R2T REG 2 + T piece	02 200	T Tube	SMA Silver	P Straight cable without plug
	03 300		CRO Chrome	R Straight cable and plug with on/off switch
	04 400		905 Black	U Spiral cable with plug
	06 600			T Spiral cable and plug with on/off switch
	08 800			
	10 1000			
	12 1200			

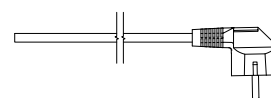
REG 2



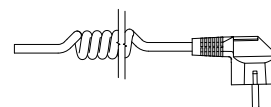
Straight cable without plug



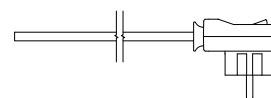
Straight cable with plug



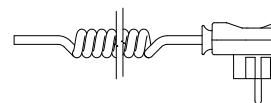
Spiral cable with plug



Straight cable and plug with on/off switch



Spiral cable and plug with on/off switch



L [mm]	315	275	300	335	365	475	565	660
Power [W]	120	200	300	400	600	800	1000	1200