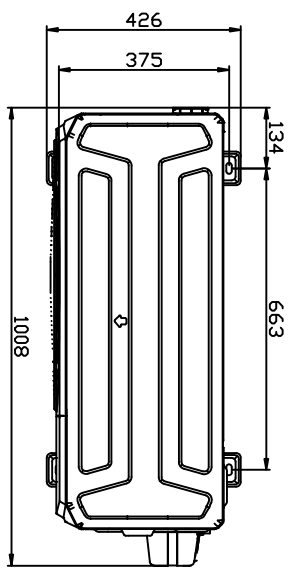
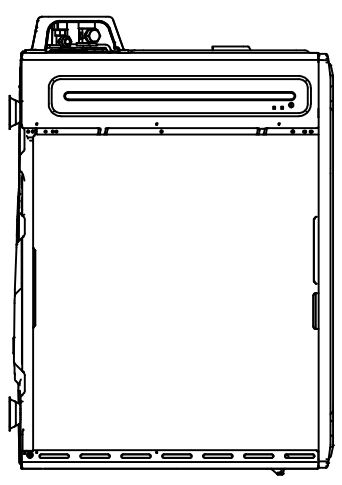
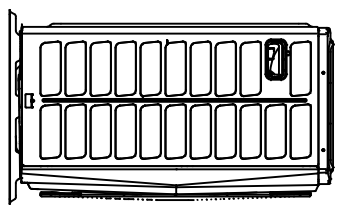
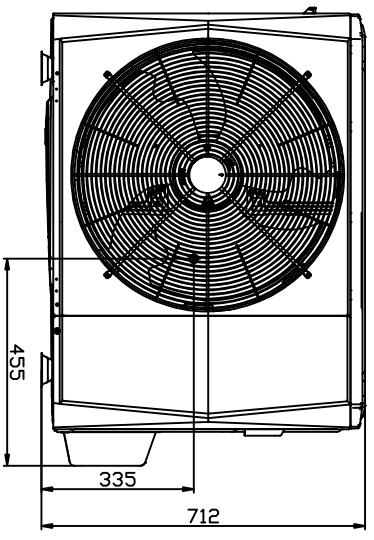
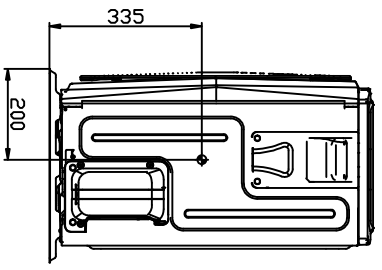


MARKER NUMBER	ECH. NO.	SIGNATURE	DATE
1			
2			



Application model:
 MSH-40EB
 MSH-60EB



S-therm Yukon Split

CUSTOMER	SIGNATURE	DATE
CONFIRM		

SINCLAIR Global Group s.r.o.

