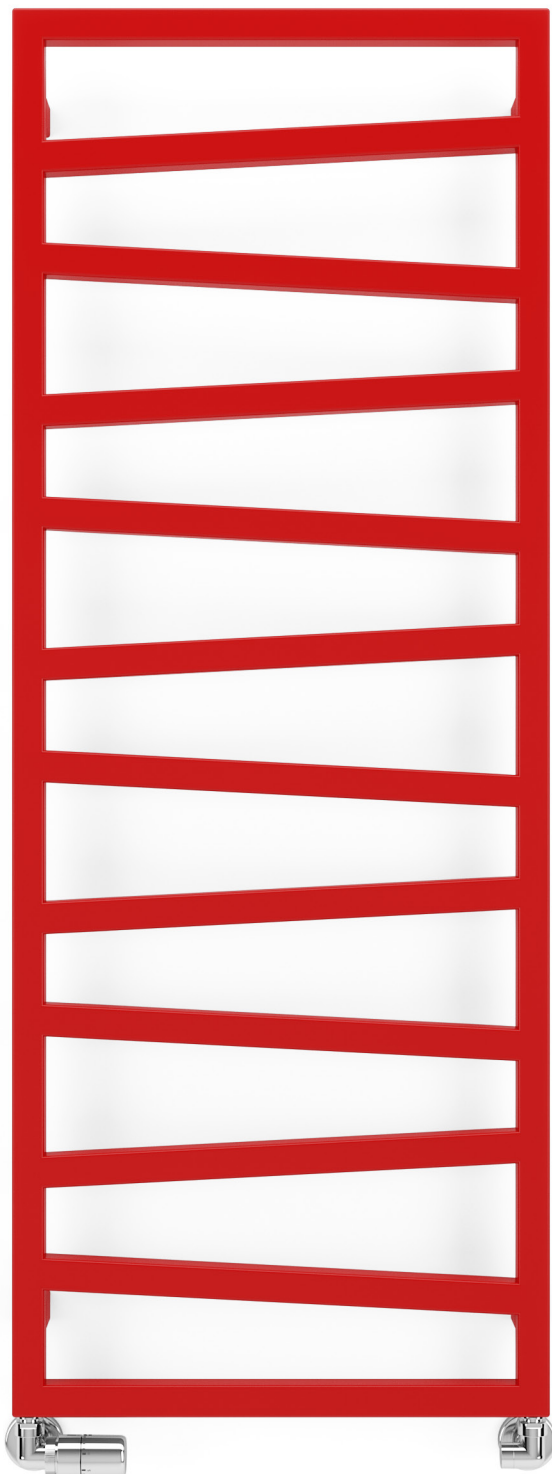


# ZigZag



colour included in  
the price



**Simple** 1310 $\downarrow$  × 500 $\leftrightarrow$  SX  
colour: RAL 3020

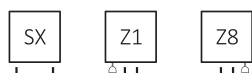
3-axis thermostatic valve set, left, chrome  
Integrated pipe-masking set, chrome



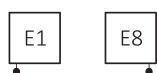
**TERMA**  
SINCE 1990



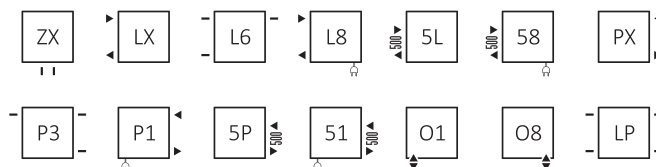
## Standard connection:



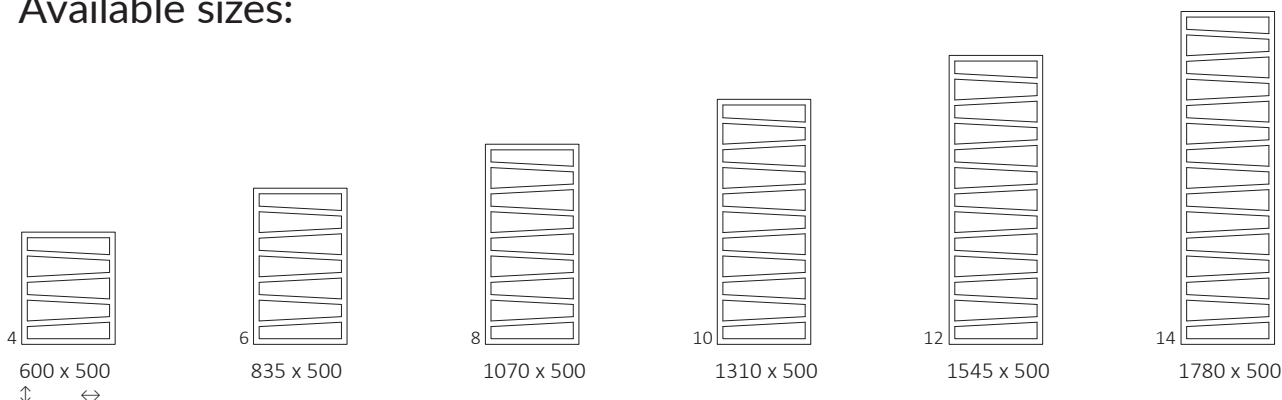
Electric radiators:



## Optional connection:



## Available sizes:



## Specification:

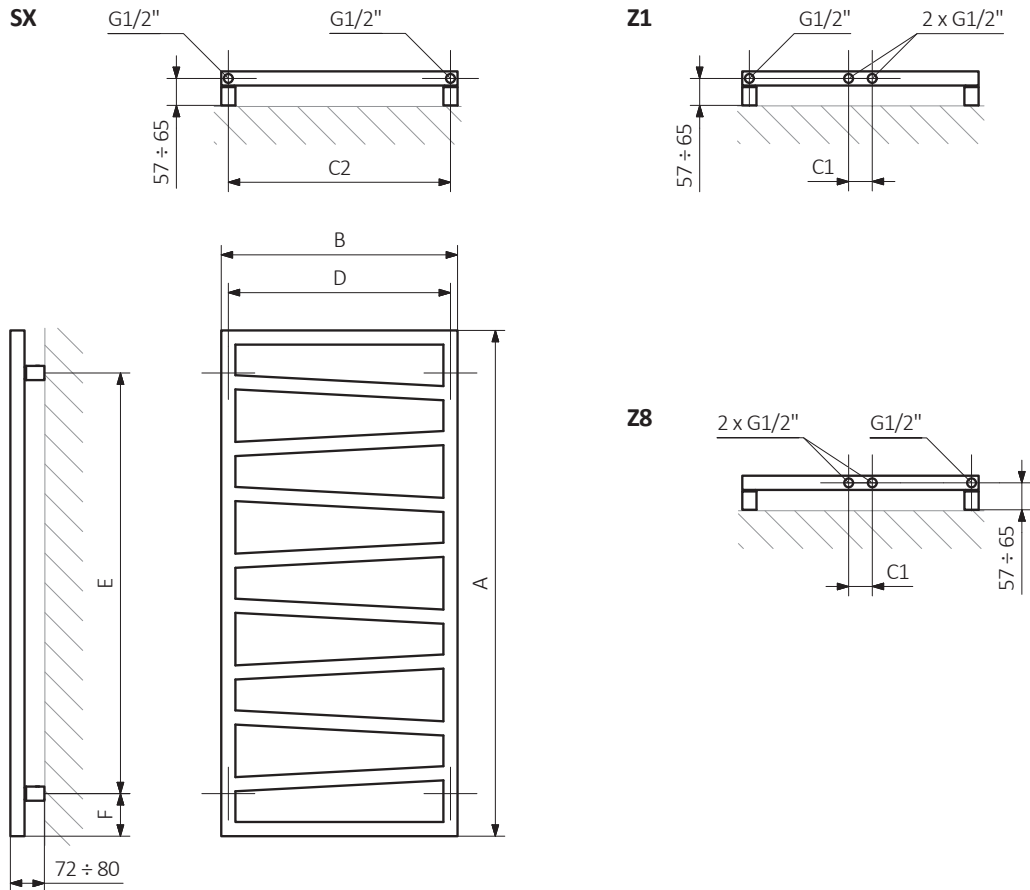
Working pressure: 1000 kPa Maximum operating temperature: 95°C

A ↓ [mm]	B ↔ [mm]	C1 [mm]	C2 [mm]	75/65/20°C [W]	55/45/20°C [W]	☺ [W]	D [mm]	E [mm]	F [mm]	⏶ [dm <sup>3</sup> ]	⚖️ [kg]	Product code <small>Configuration code p. 5</small>
<b>Powder coating</b>												
600	500	50	470	248	134	300	470	420	90	2,77	5,07	WGZIG060050
835	500	50	470	320	172	300	470	655	90	3,74	6,86	WGZIG083050
1070	500	50	470	406	218	400	470	890	90	4,72	8,64	WGZIG107050
1310	500	50	470	490	263	600	470	1130	90	5,70	10,44	WGZIG131050
1545	500	50	470	581	311	600	470	1365	90	6,67	12,23	WGZIG154050
1780	500	50	470	627	335	600	470	1600	90	7,65	14,01	WGZIG178050
<b>Plated finishes</b>												
600	500	50	470	174	94	200	470	420	90	2,77	4,90	WGZIG060050
835	500	50	470	224	120	200	470	655	90	3,74	6,60	WGZIG083050
1070	500	50	470	284	153	300	470	890	90	4,72	8,40	WGZIG107050
1310	500	50	470	343	184	400	470	1130	90	5,70	10,10	WGZIG131050
1545	500	50	470	407	218	400	470	1365	90	6,67	11,80	WGZIG154050
1780	500	50	470	439	235	400	470	1600	90	7,65	13,50	WGZIG178050



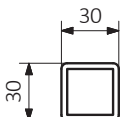
colour included in the price

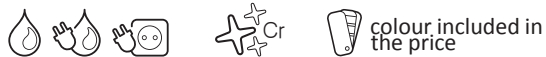
## Technical drawing:



A – Height B – Width C1-C5 – Distance between pipe centres D – Horizontal distance between mounting bracket centres  
E – Vertical distance between mounting brackets F – Distance between a mounting bracket and the bottom of the radiator

### Pipe:





In the table with technical data, the last column lists product codes. When placing an order, please remember to quote the product code followed by the configuration code as shown in the diagram below:

## The construction of a water and dual fuel radiator product and configuration code:

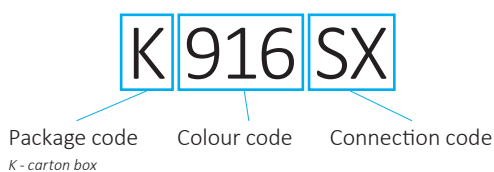
WGZIG060050

K916SX

PRODUCT CODE  
(located in the table for the product)

CONFIGURATION CODE  
(supplemented by hand)

### Example Configuration



## Construction of electric heater configuration code:

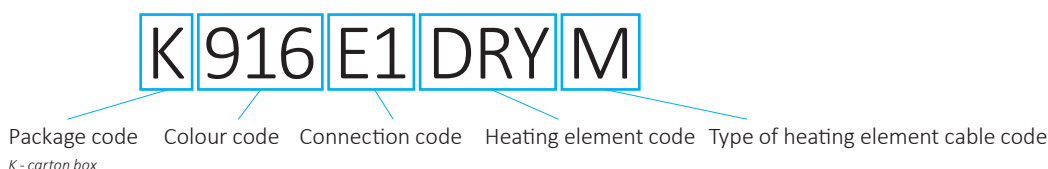
WGZIG060050

K916E1DRYM

PRODUCT CODE  
(located in the table for the product)

CONFIGURATION CODE  
(supplemented by hand)

### Example Configuration



## Epoxy primer

**E** – Code of epoxy primer is an extra processes.

WGZIG060050 K916SX **E** — Extra processes or additions code



## Legend



Radiator available in a "water" version.



Radiator suitable for dual fuel connection. Electric heating element can be installed.



Radiator available in electric only version. It comes prefilled with a 'heating medium' and equipped with a heating element. All tested and ready to use.



Connection types dedicated for this radiator. The icon shows the flow and return connections for the radiator as well as the thermostatic valve and heating element position if applicable.



Suggested heating element power output for electric and dual fuel versions.



Weight.



Capacity.



Available in chrome finish.



No additional payment for a color.