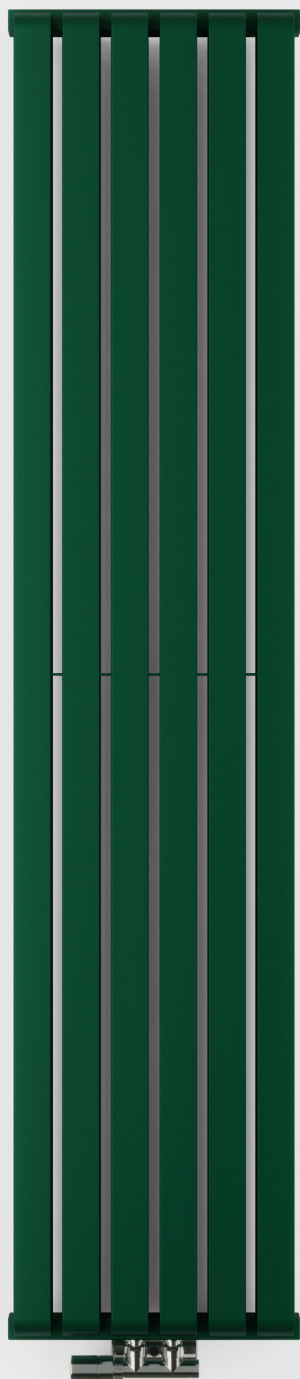




TERMA

SINCE 1990



◀ **Radiator**

Warp Room 1800↑ x 395↔

Connection: ZX,

Colour: Green Chlorophyll,

Configuration code: WGWAR180039 KGCLZX

Valves and accessories

Angled integrated thermostatic valve set, chrome

Product code: WRZT5G2-CR

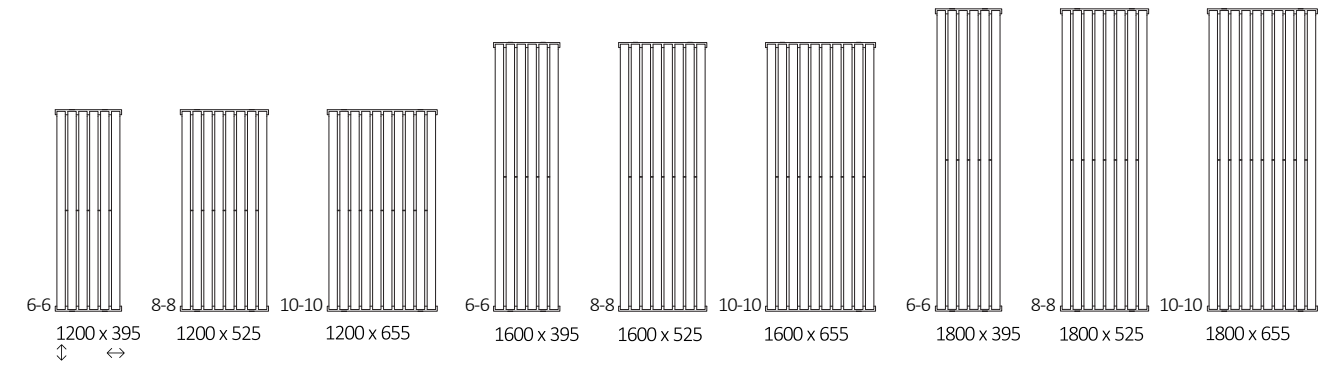
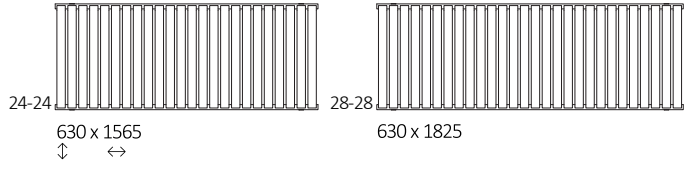
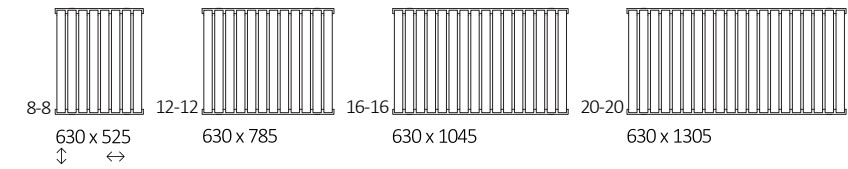
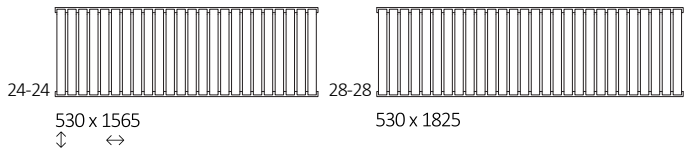
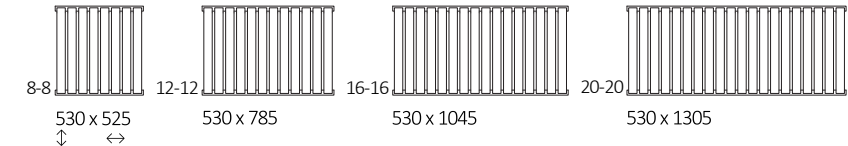
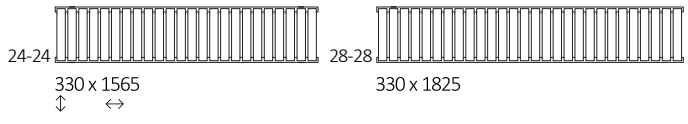
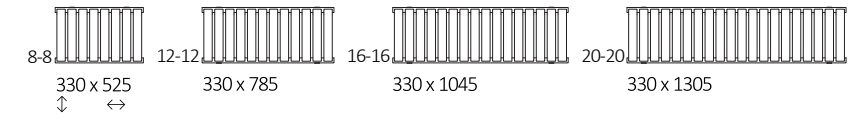
WARP ROOM







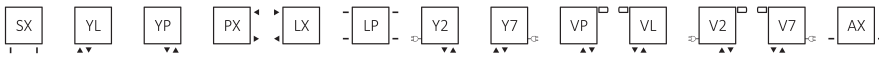
AVAILABLE SIZES



CENTRAL HEATING / DUAL FUEL

Connections:

A ↓ 330÷630:



A ↓ 1200÷1800:





Height A ↓ [mm]	Width B ↔ [mm]	Heating power – powder paint			Product code ... Configuration p. 6
		75/65/20°C [W]	55/45/20°C [W]	☺ [W]	
330	525	324	167	300	WGWAR033052...
330	785	486	251	600	WGWAR033078...
330	1045	648	334	600	WGWAR033104...
330	1305	810	418	800	WGWAR033130...
330	1565	972	502	1000	WGWAR033156...
330	1825	1134	585	1200	WGWAR033182...
530	525	495	258	600	WGWAR053052...
530	785	743	388	800	WGWAR053078...
530	1045	990	516	1000	WGWAR053104...
530	1305	1238	646	1200	WGWAR053130...
530	1565	1486	775	1500	WGWAR053156...
530	1825	1733	904	1500	WGWAR053182...
630	525	578	303	600	WGWAR063052...
630	785	868	455	800	WGWAR063078...
630	1045	1157	607	1200	WGWAR063104...
630	1305	1446	758	1500	WGWAR063130...
630	1565	1735	910	1500	WGWAR063156...
630	1825	2024	1061	2000	WGWAR063182...
1200	395	779	410	-	WGWAR120039...
1200	525	1038	546	-	WGWAR120052...
1200	655	1298	683	-	WGWAR120065...
1600	395	1016	527	-	WGWAR160039...
1600	525	1355	703	-	WGWAR160052...
1600	655	1694	879	-	WGWAR160065...
1800	395	1135	585	-	WGWAR180039...
1800	525	1514	780	-	WGWAR180052...
1800	655	1892	975	-	WGWAR180065...

DIMENSIONS AND TECHNICAL INFORMATION

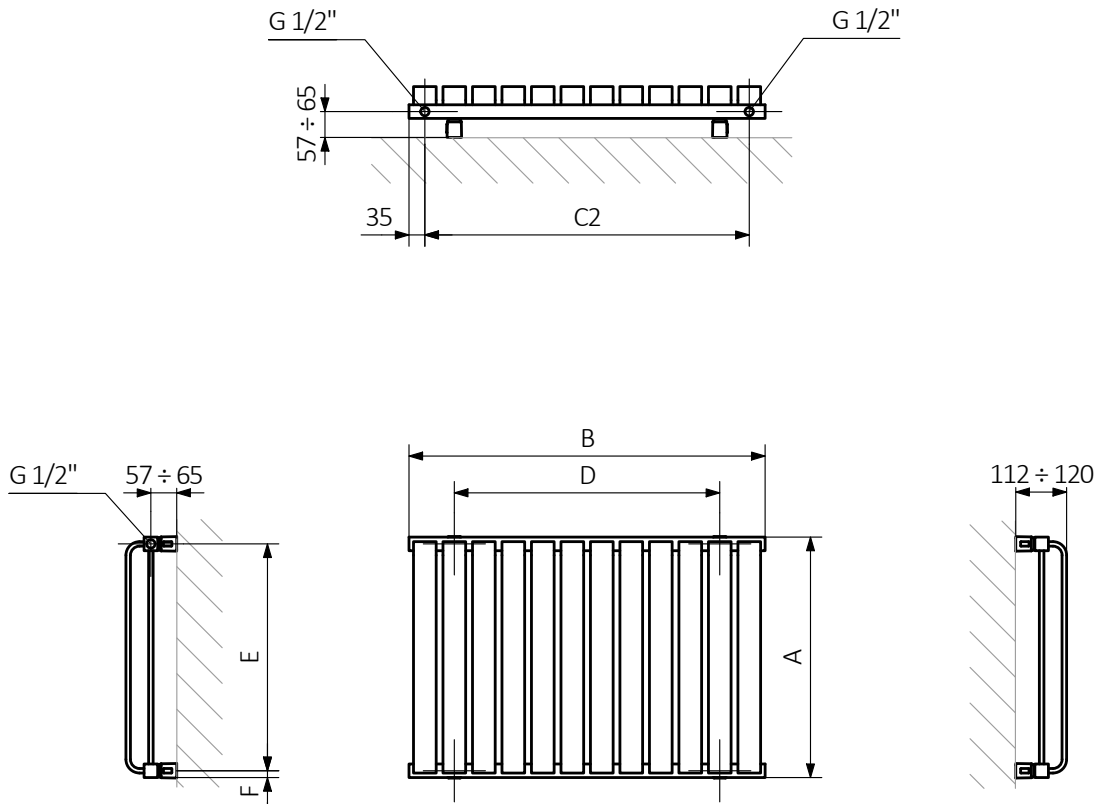
Working pressure: 600 kPa

Maximum operating temperature: 95°C

Height A ↕ [mm]	Width B ↔ [mm]	Spacing connection C1 [mm]	Spacing connection C2 [mm]	Spacing connection C3 [mm]	Spacing connection C4 [mm]	Spacing horizontal fasteners D [mm]	Spacing vertical fasteners E [mm]	Bottom fasteners position F [mm]	Capacity  [dm ³]	Weight  [kg]
330	525	50	455	300	525	325	300	15	2,40	8,74
330	785	50	715	300	785	585	300	15	3,60	12,92
330	1045	50	975	300	1045	845	300	15	4,80	17,10
330	1305	50	1235	300	1305	1105	300	15	5,99	21,27
330	1565	50	1495	300	1565	1365	300	15	7,19	25,45
330	1825	50	1755	300	1825	1625	300	15	8,39	29,63
530	525	50	455	500	525	325	500	15	3,45	13,08
530	785	50	715	500	785	585	500	15	5,17	19,42
530	1045	50	975	500	1045	845	500	15	6,90	25,77
530	1305	50	1235	500	1305	1105	500	15	8,62	32,11
530	1565	50	1495	500	1565	1365	500	15	10,34	38,46
530	1825	50	1755	500	1825	1625	500	15	12,07	44,80
630	525	50	455	600	525	325	600	15	3,97	15,25
630	785	50	715	600	785	585	600	15	5,96	22,68
630	1045	50	975	600	1045	845	600	15	7,95	30,10
630	1305	50	1235	600	1305	1105	600	15	9,93	37,53
630	1565	50	1495	600	1565	1365	600	15	11,92	44,96
630	1825	50	1755	600	1825	1625	600	15	13,91	52,39
1200	395	50	325	1170	395	195	1170	15	5,22	20,80
1200	525	50	455	1170	525	325	1170	15	6,96	27,60
1200	655	50	585	1170	655	455	1170	15	8,71	34,41
1600	395	50	325	1570	395	195	1570	15	6,80	27,30
1600	525	50	455	1570	525	325	1570	15	9,06	36,27
1600	655	50	585	1570	655	455	1570	15	11,33	45,25
1800	395	50	325	1770	395	195	1770	15	7,59	30,55
1800	525	50	455	1770	525	325	1770	15	10,11	40,61
1800	655	50	585	1770	655	455	1770	15	12,64	50,67

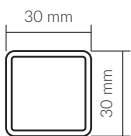
TECHNICAL DRAWING

SX

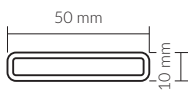


A – Height B – Width C1-C5 – Distance between pipe centres D – Horizontal distance between mounting bracket centres E – Vertical distance between mounting brackets F – Distance between a mounting bracket and the bottom of the radiator

Collector:

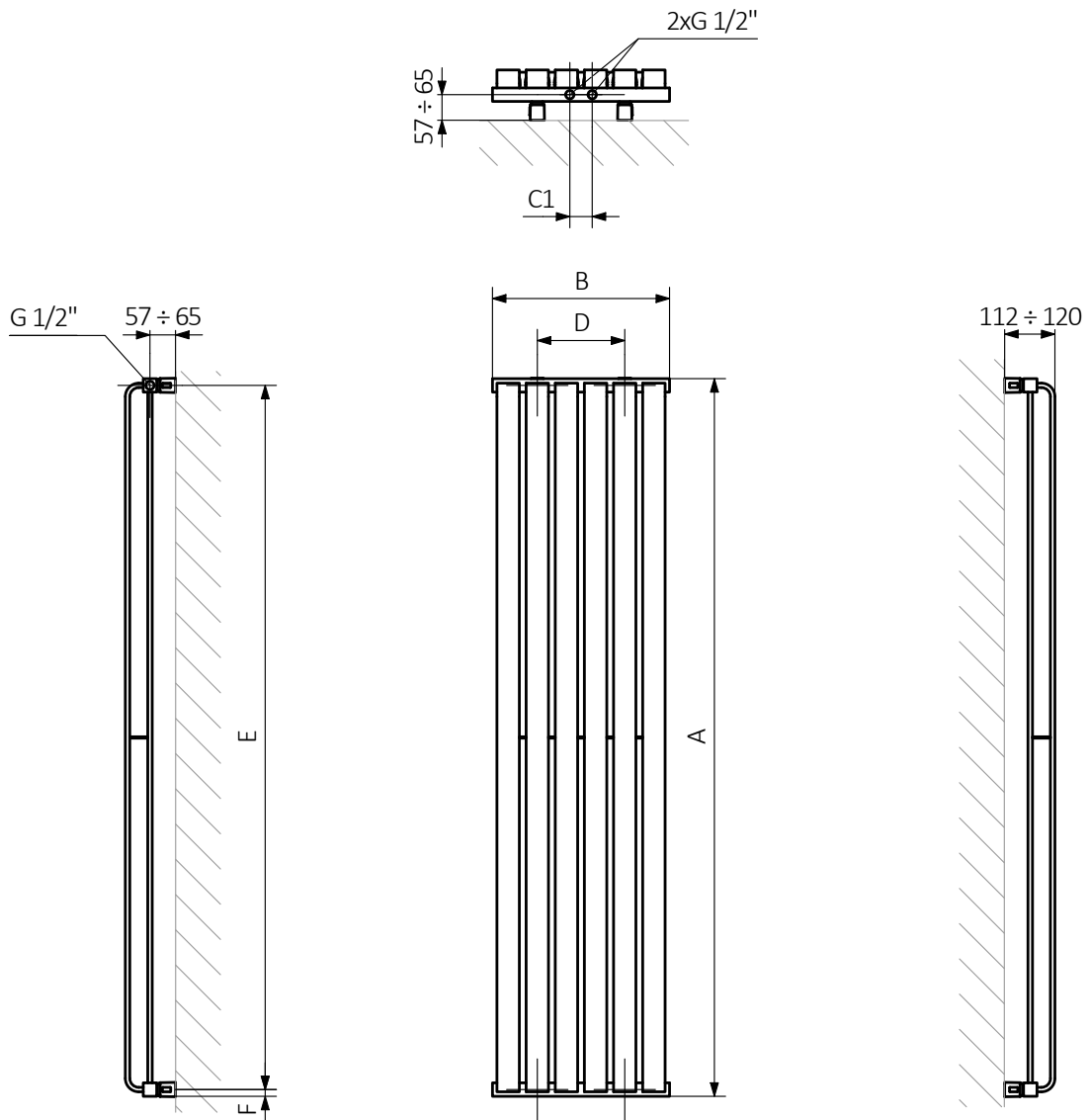


Pipe:



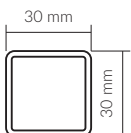
TECHNICAL DRAWING

ZX

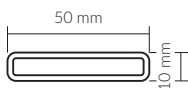


A – Height B – Width C1-C5 – Distance between pipe centres D – Horizontal distance between mounting bracket centres E – Vertical distance between mounting brackets F – Distance between a mounting bracket and the bottom of the radiator

Collector:

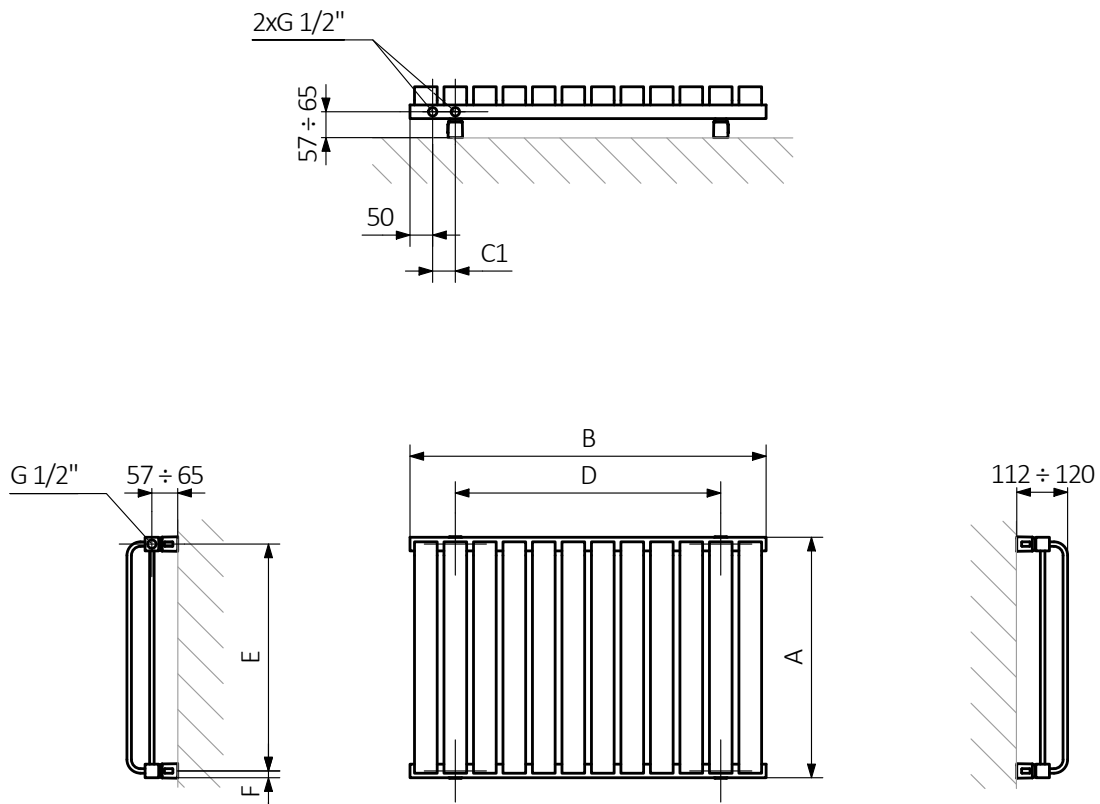


Pipe:



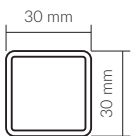
TECHNICAL DRAWING

YL

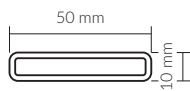


A – Height B – Width C1-C5 – Distance between pipe centres D – Horizontal distance between mounting bracket centres E – Vertical distance between mounting brackets F – Distance between a mounting bracket and the bottom of the radiator

Collector:

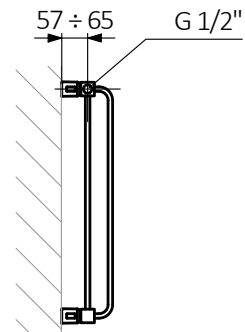
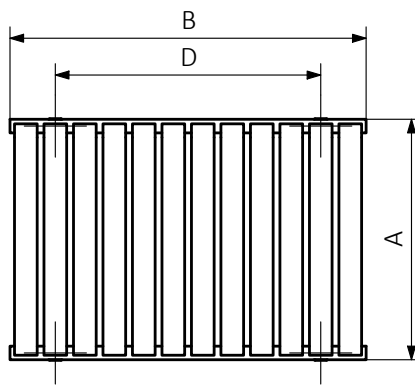
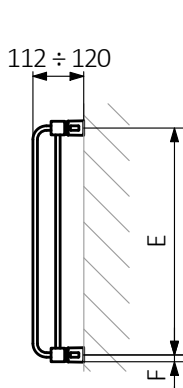
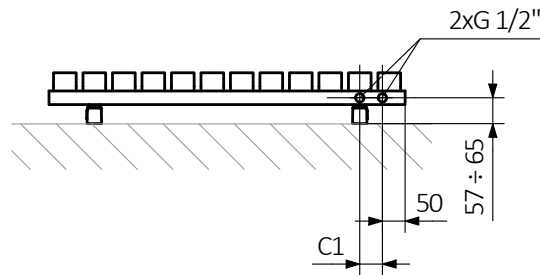


Pipe:



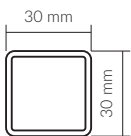
TECHNICAL DRAWING

YP

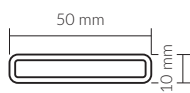


A – Height B – Width C1-C5 – Distance between pipe centres D – Horizontal distance between mounting bracket centres E – Vertical distance between mounting brackets F – Distance between a mounting bracket and the bottom of the radiator

Collector:

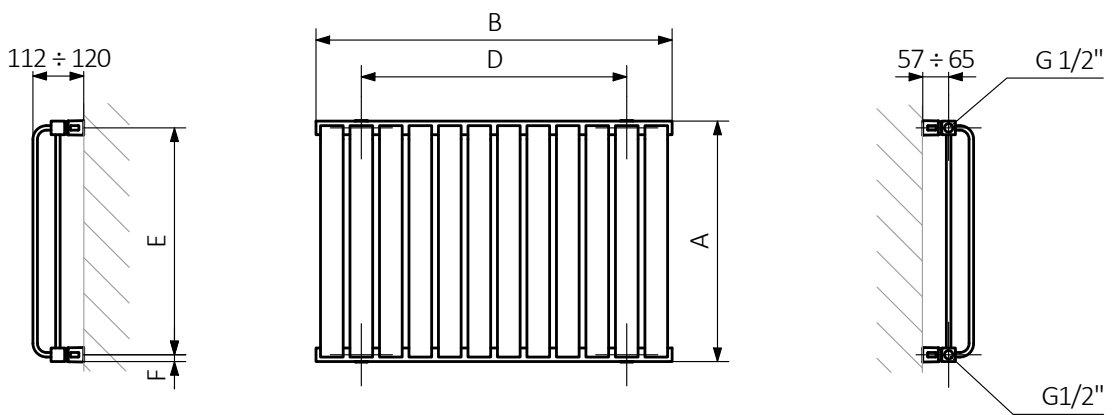
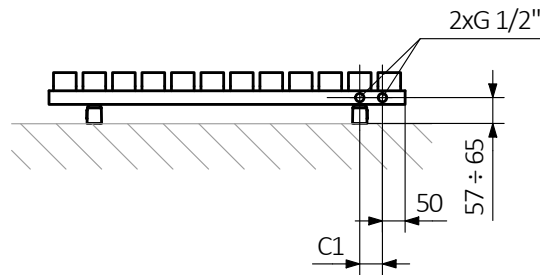


Pipe:



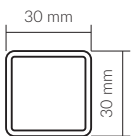
TECHNICAL DRAWING

Y2

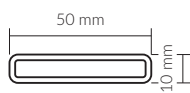


A – Height B – Width C1-C5 – Distance between pipe centres D – Horizontal distance between mounting bracket centres E – Vertical distance between mounting brackets F – Distance between a mounting bracket and the bottom of the radiator

Collector:

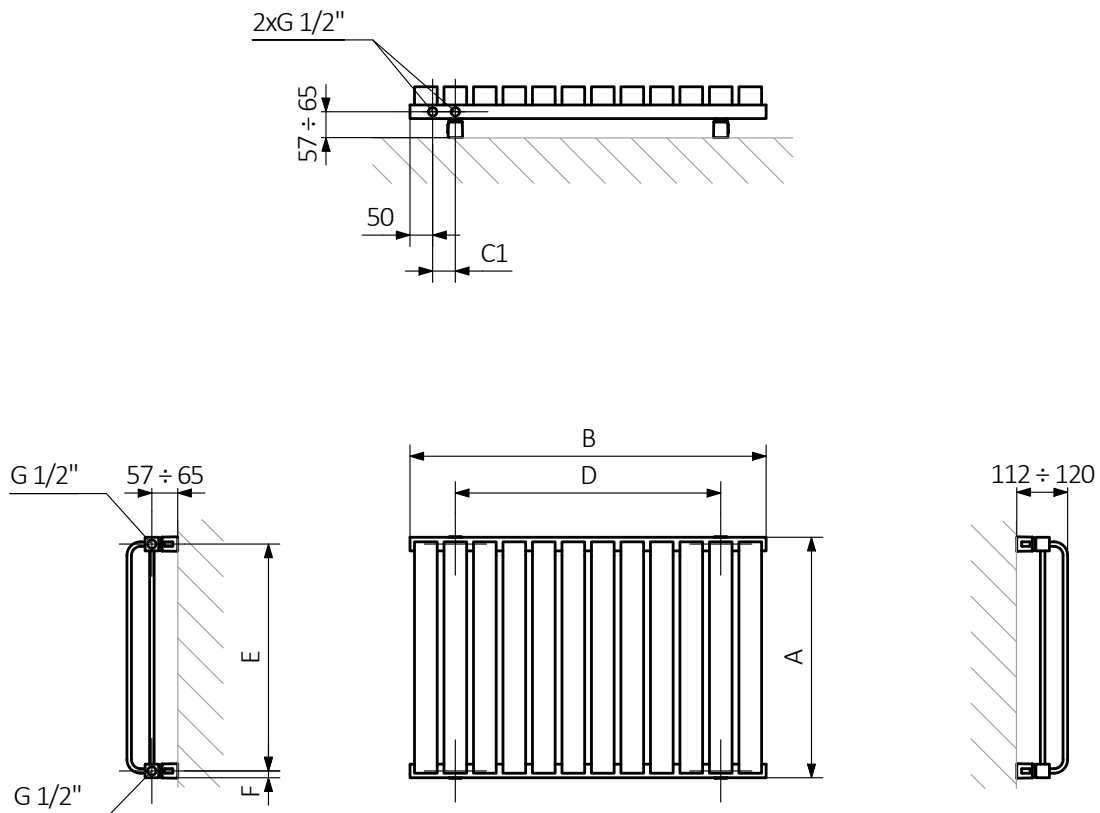


Pipe:



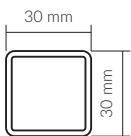
TECHNICAL DRAWING

Y7

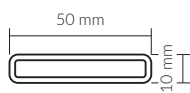


A – Height B – Width C1-C5 – Distance between pipe centres D – Horizontal distance between mounting bracket centres E – Vertical distance between mounting brackets F – Distance between a mounting bracket and the bottom of the radiator

Collector:

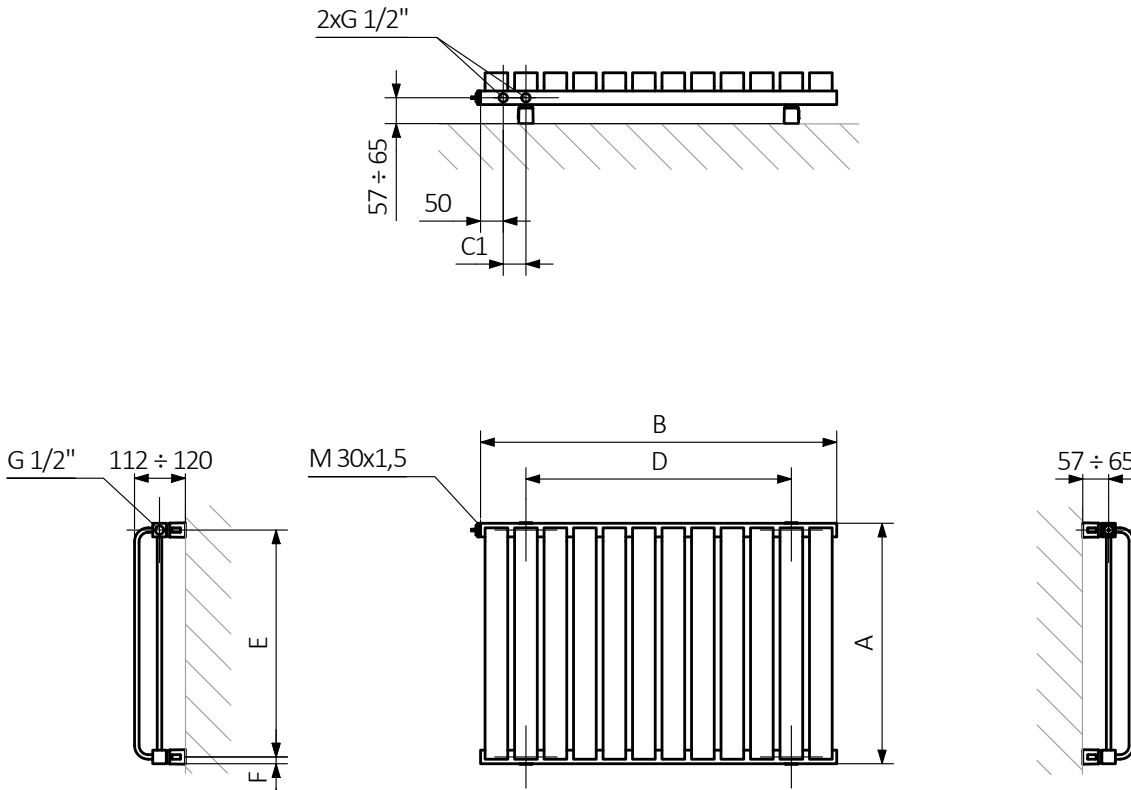


Pipe:



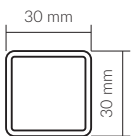
TECHNICAL DRAWING

VL

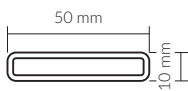


A – Height B – Width C1-C5 – Distance between pipe centres D – Horizontal distance between mounting bracket centres E – Vertical distance between mounting brackets F – Distance between a mounting bracket and the bottom of the radiator

Collector:

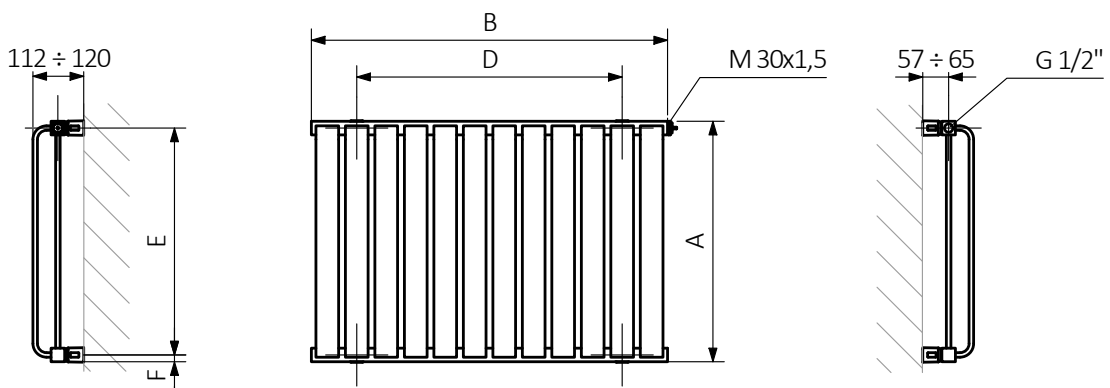
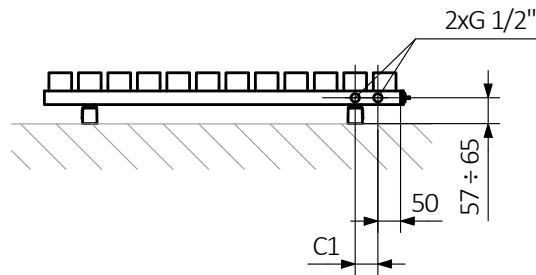


Pipe:



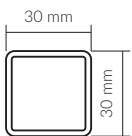
TECHNICAL DRAWING

VP

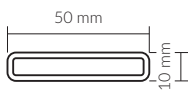


A – Height B – Width C1-C5 – Distance between pipe centres D – Horizontal distance between mounting bracket centres E – Vertical distance between mounting brackets F – Distance between a mounting bracket and the bottom of the radiator

Collector:

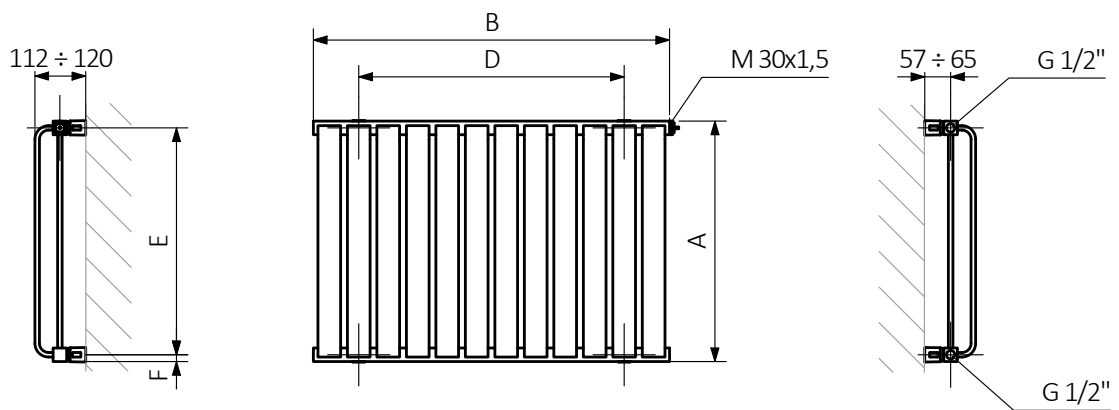
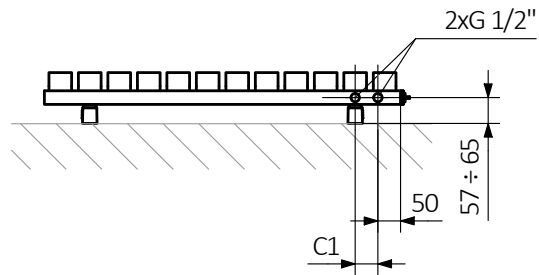


Pipe:



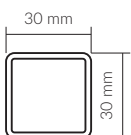
TECHNICAL DRAWING

V2

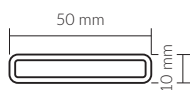


A – Height B – Width C1-C5 – Distance between pipe centres D – Horizontal distance between mounting bracket centres E – Vertical distance between mounting brackets F – Distance between a mounting bracket and the bottom of the radiator

Collector:

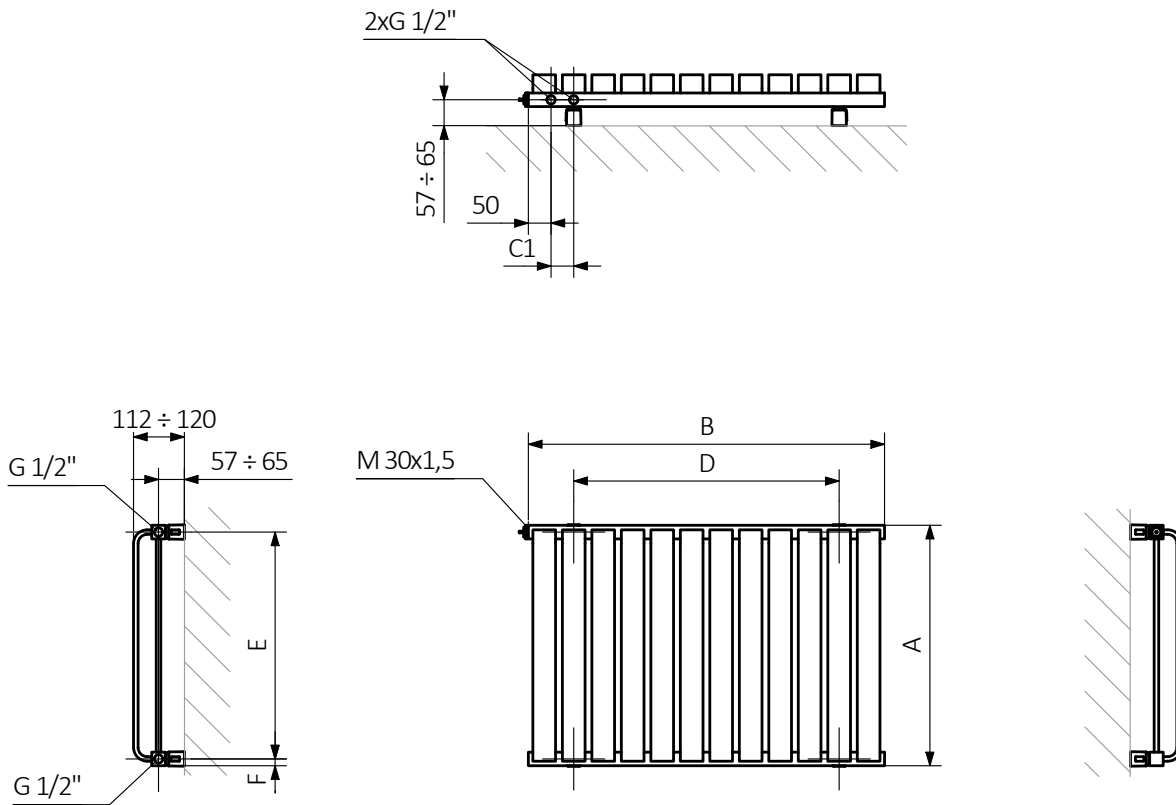


Pipe:



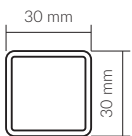
TECHNICAL DRAWING

V7

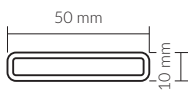


A – Height B – Width C1-C5 – Distance between pipe centres D – Horizontal distance between mounting bracket centres E – Vertical distance between mounting brackets F – Distance between a mounting bracket and the bottom of the radiator

Collector:

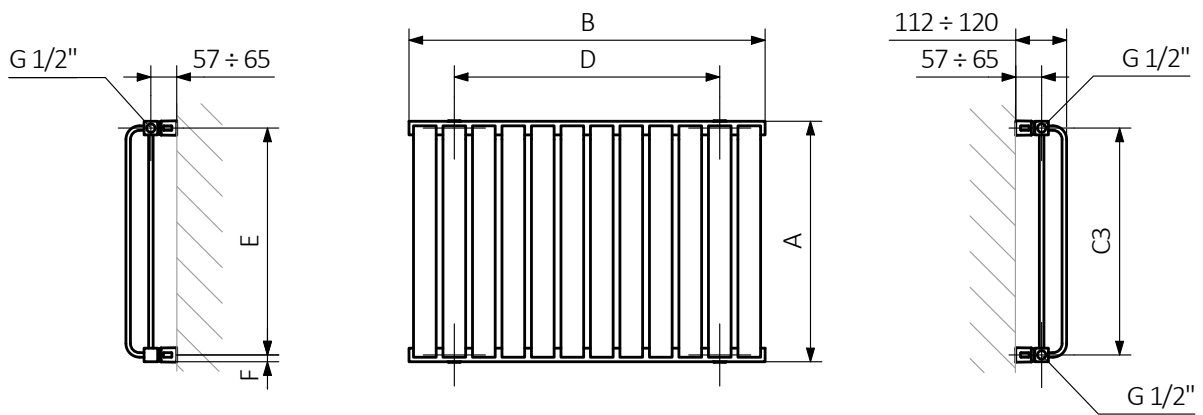


Pipe:



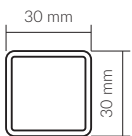
TECHNICAL DRAWING

LX

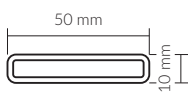


A – Height B – Width C1-C5 – Distance between pipe centres D – Horizontal distance between mounting bracket centres E – Vertical distance between mounting brackets F – Distance between a mounting bracket and the bottom of the radiator

Collector:

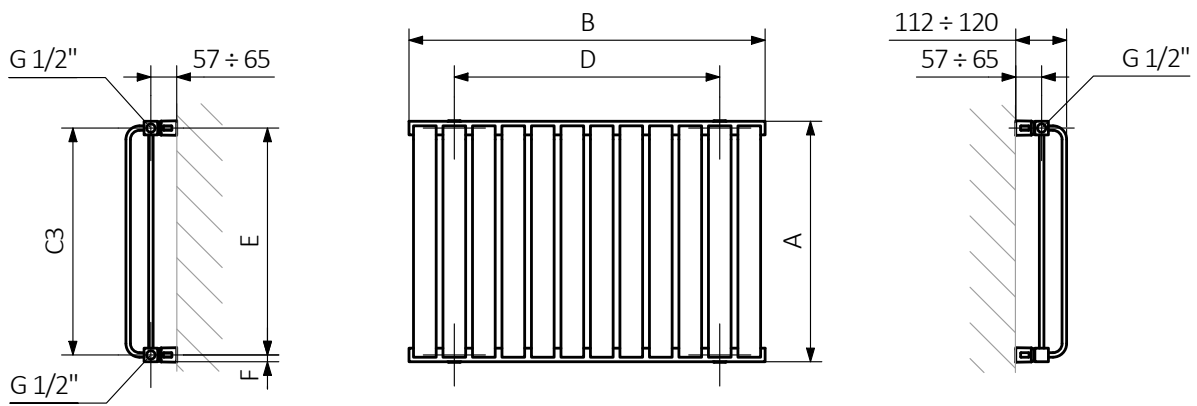


Pipe:



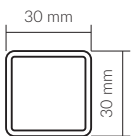
TECHNICAL DRAWING

PX

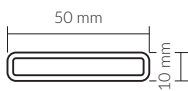


A – Height B – Width C1-C5 – Distance between pipe centres D – Horizontal distance between mounting bracket centres E – Vertical distance between mounting brackets F – Distance between a mounting bracket and the bottom of the radiator

Collector:

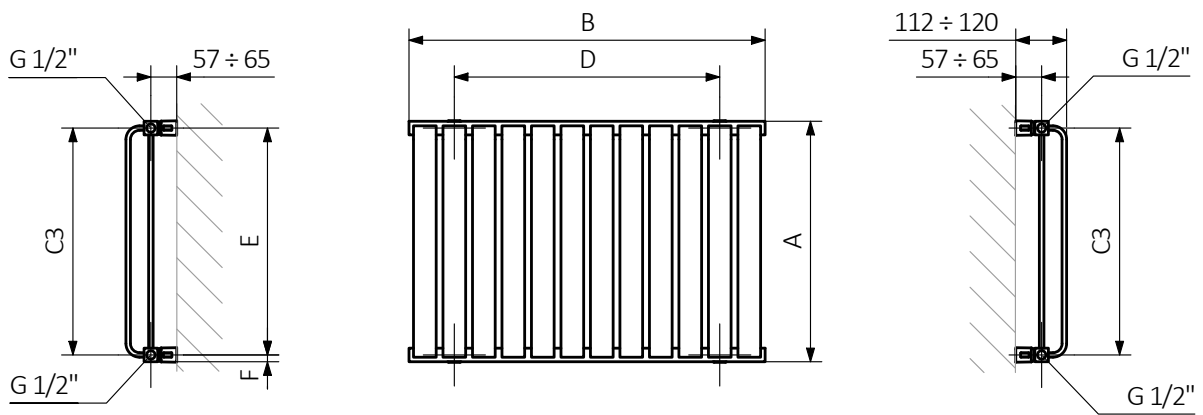


Pipe:



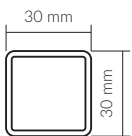
TECHNICAL DRAWING

LP

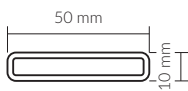


A – Height B – Width C1-C5 – Distance between pipe centres D – Horizontal distance between mounting bracket centres E – Vertical distance between mounting brackets F – Distance between a mounting bracket and the bottom of the radiator

Collector:

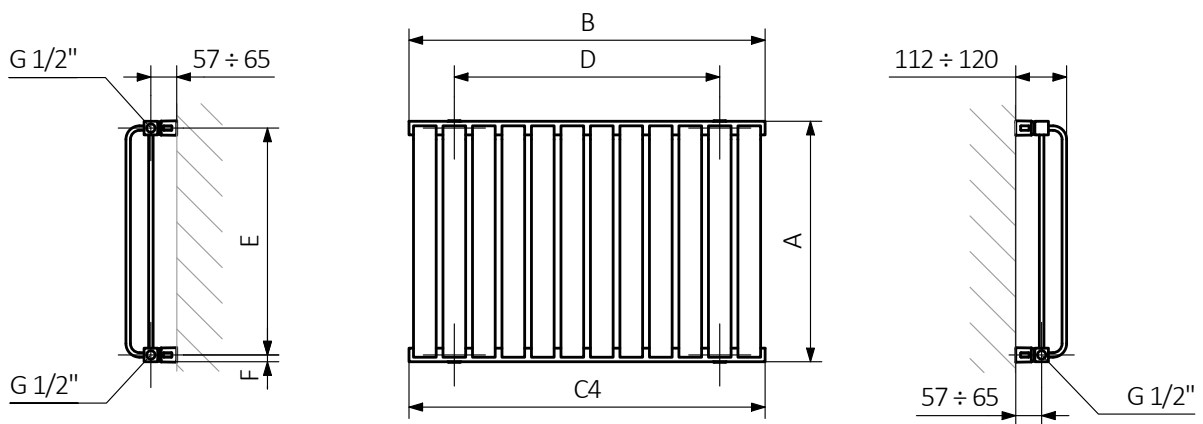


Pipe:



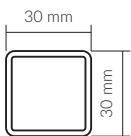
TECHNICAL DRAWING

AX

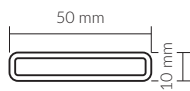


A – Height B – Width C1-C5 – Distance between pipe centres D – Horizontal distance between mounting bracket centres E – Vertical distance between mounting brackets F – Distance between a mounting bracket and the bottom of the radiator

Collector:



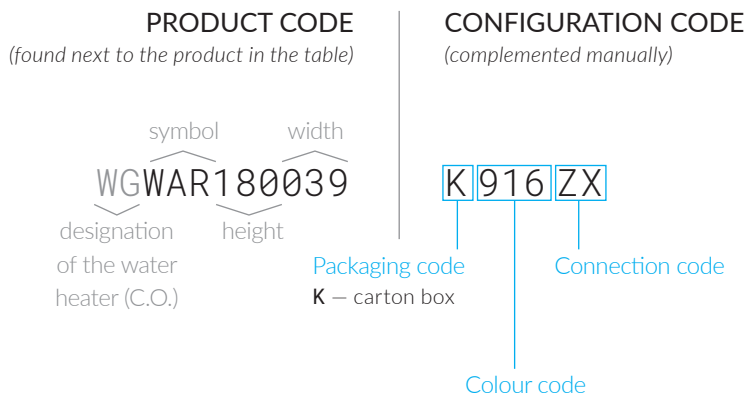
Pipe:



Product codes can be found in the product tables in both the catalogue and the price list. They provide basic information about the product and the configuration code contains information that complements the specification. When placing an order, the product codes should contain the fully completed configuration part. Part of the configuration code should be placed after the main product code as shown in the example below:

CONFIGURATION CODE FOR A TOWEL RAIL OR RADIATOR ("WG" PRODUCT GROUP)

CODE DETAILS:



EPOXY POWDER PRIMER

WGWAR180039 K916ZX **E** — the epoxy primer (additional coating increases the corrosion resistance of the product).