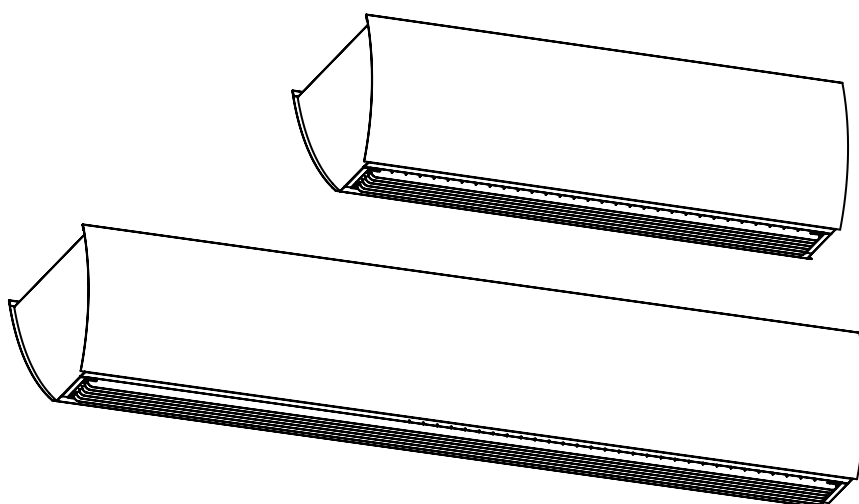


Portier



SE ... 10

GB ... 13

FR ... 16

RU ... 19

Portier

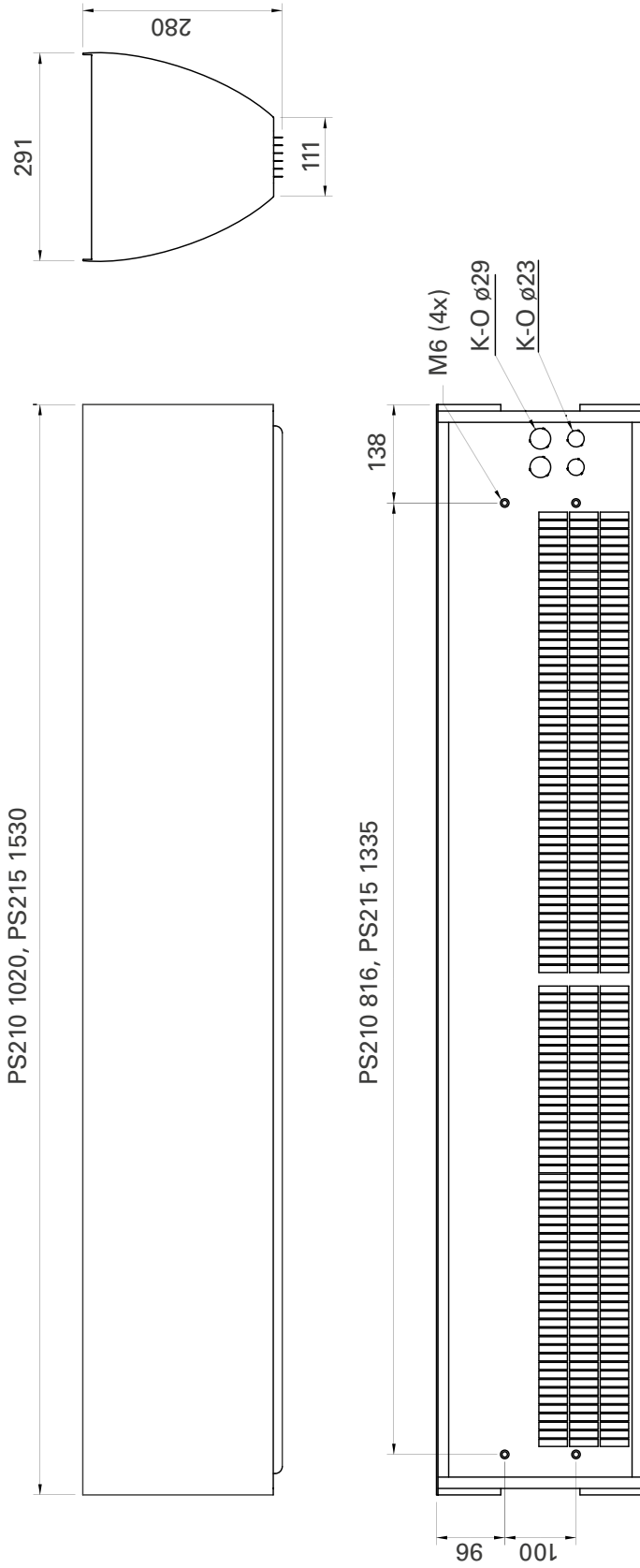


Fig. A

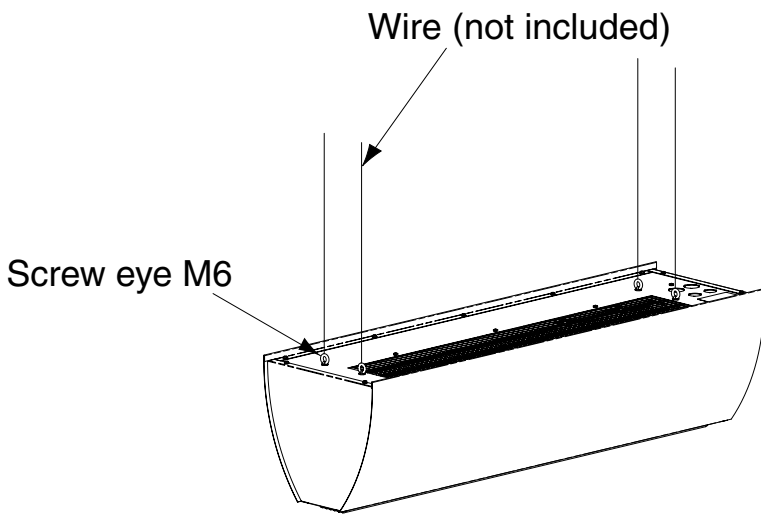


Fig. B

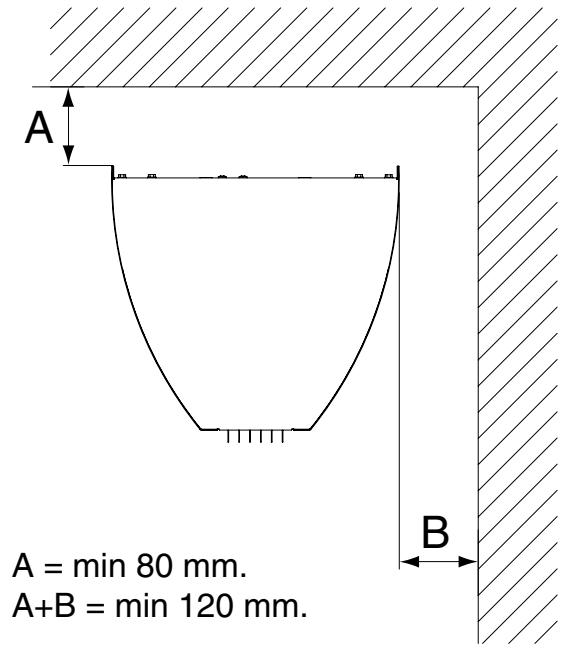


Fig. C

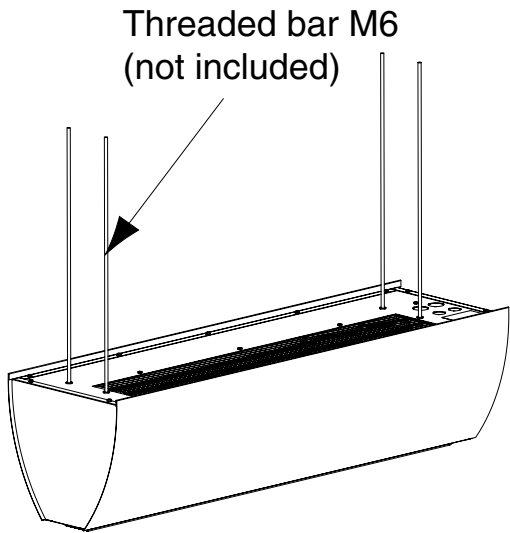


Fig. D

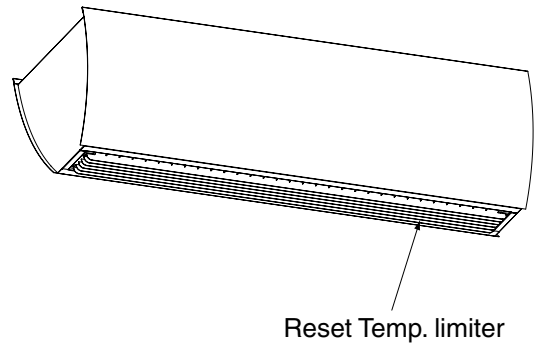


Fig. E

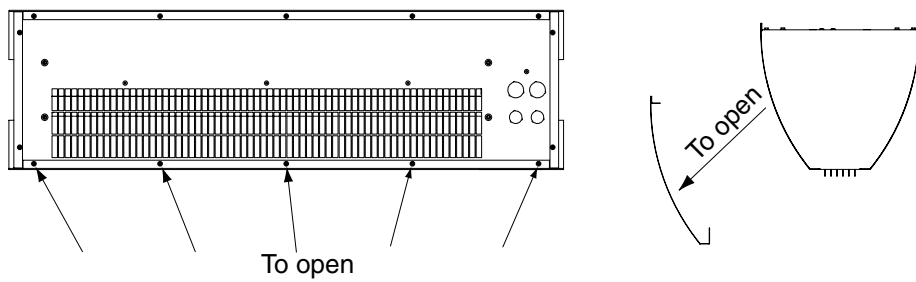
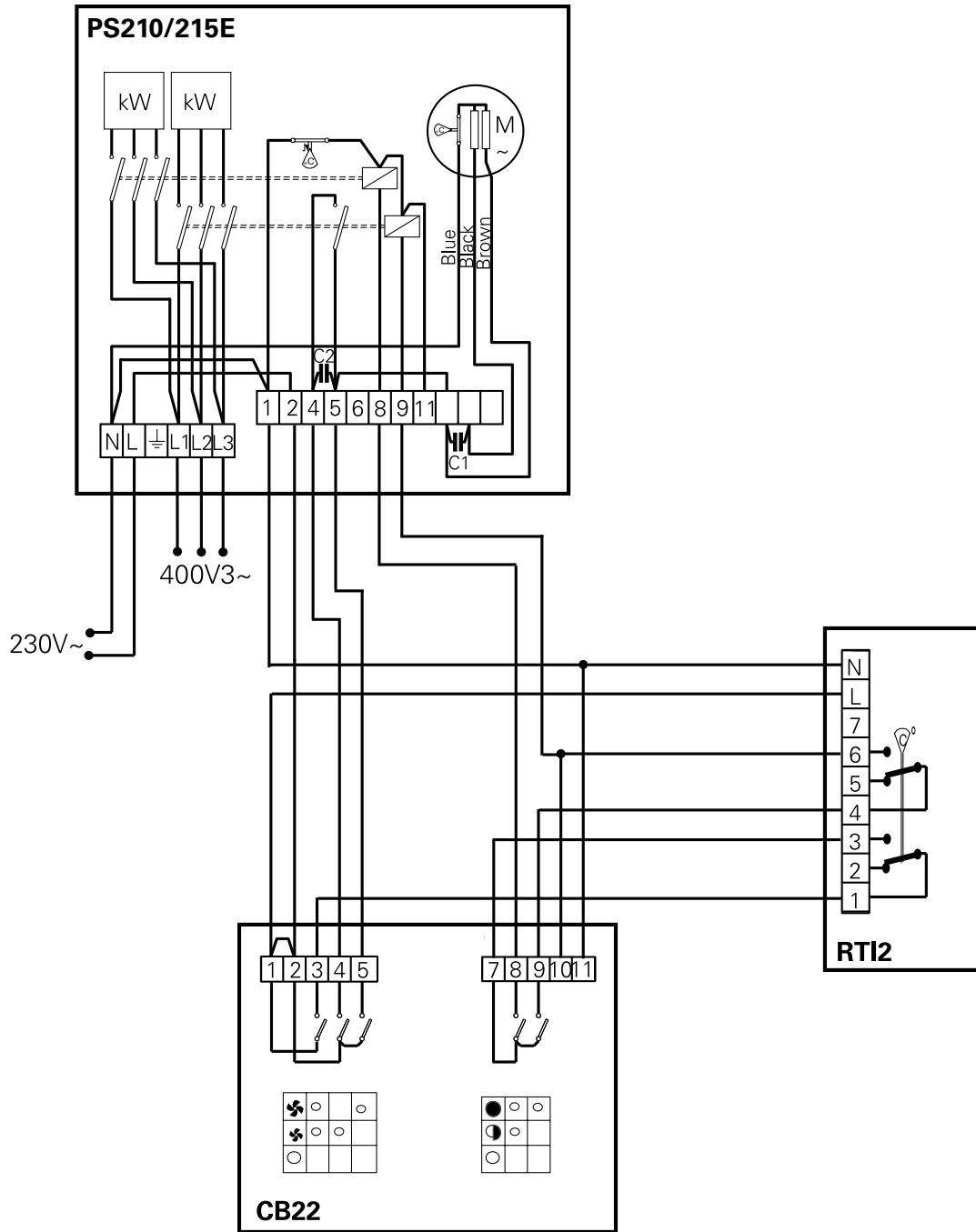


Fig. F



Portier

Fig. G

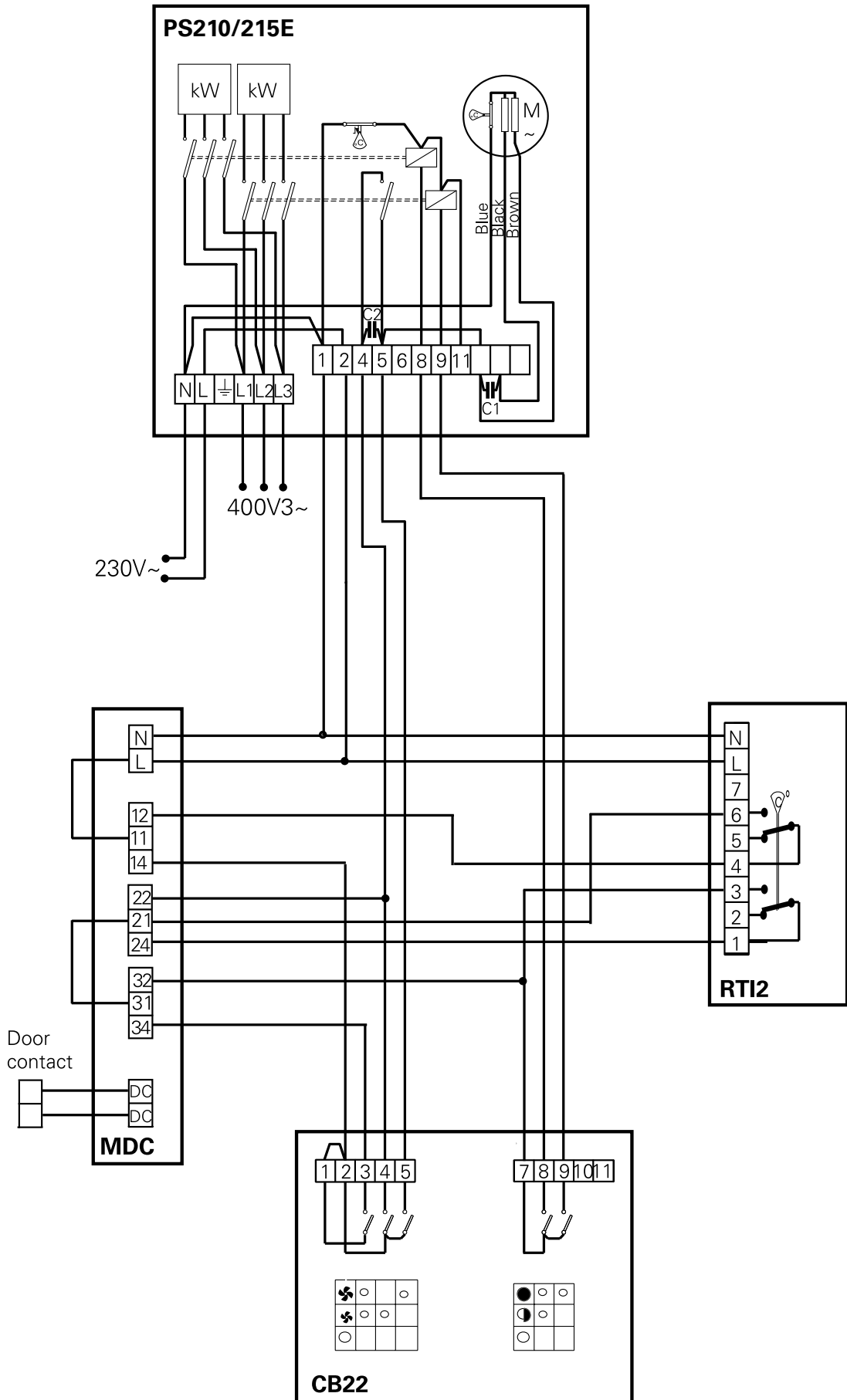
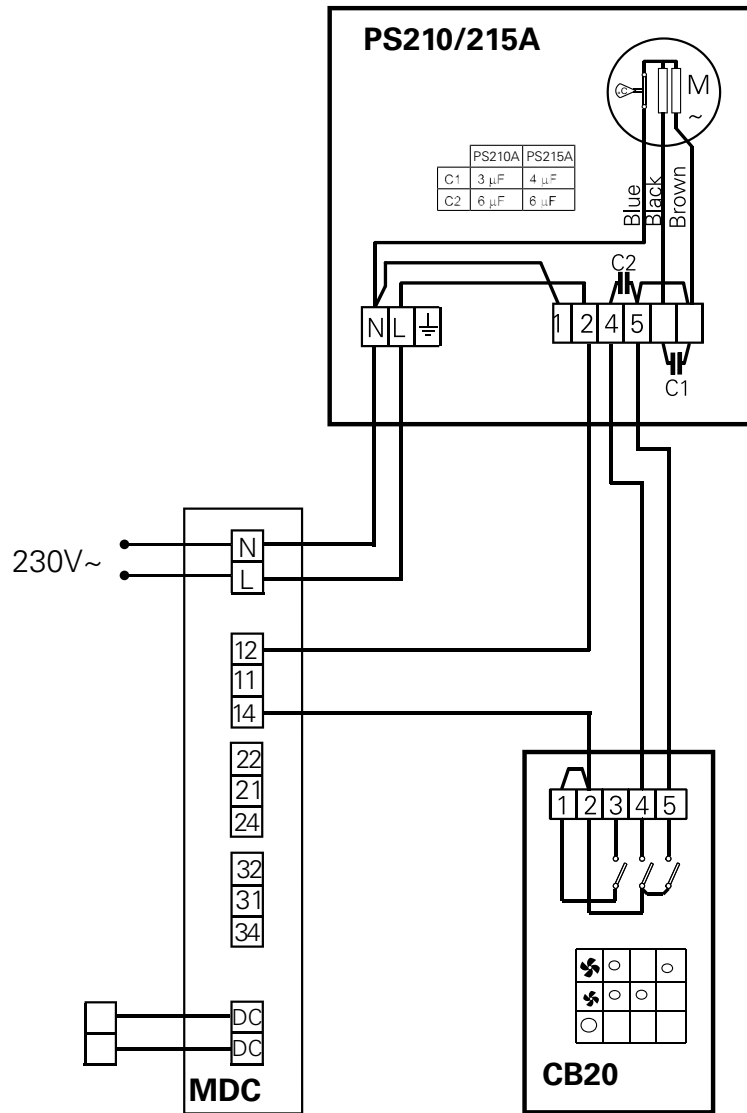


Fig. H



Portier

Fig. I

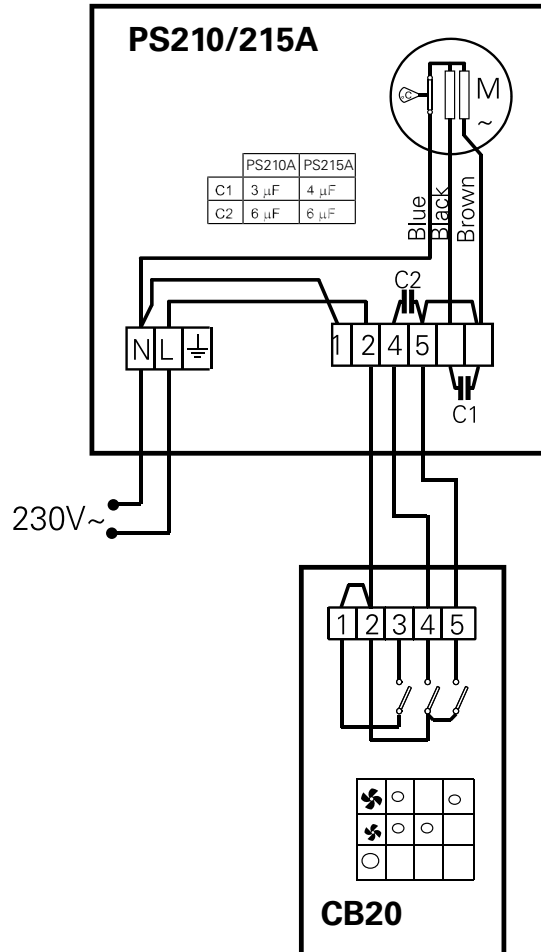
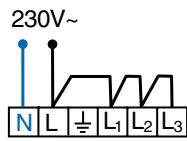
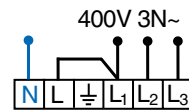


Fig. J



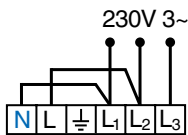
PS210E03 230V~ 2.5 mm²

Fig. K



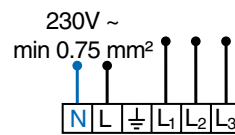
PS210E03 400V 3N~ 1.5 mm²
PS210E06 400V 3N~ 1.5 mm²

Fig. L



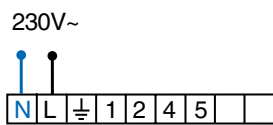
PS210E6 230V 3~ 2.5 mm²

Fig. M



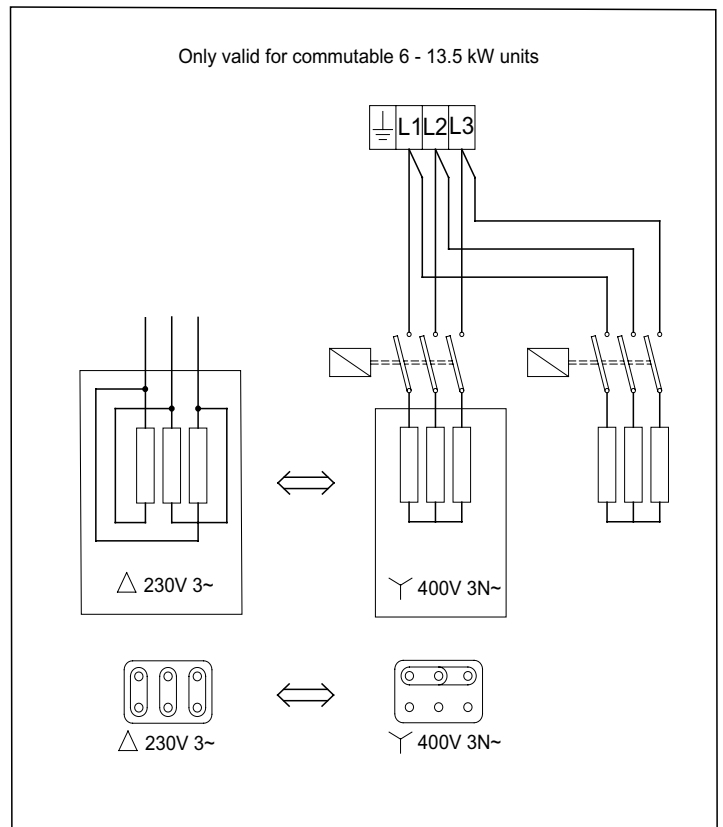
PS210E09 400V 3N~ 2.5 mm²
PS210E09 230V 3~ 6 mm²
PS215E09 400V 3N~ 2.5 mm²
PS215E09 230V 3~ 6 mm²
PS215E14 400V 3N~ 6 mm²
PS215E14 230V 3~ 10 mm²

Fig. N



PS210A 230V~ 0.75 mm²
PS215A 230V~ 0.75 mm²

Fig. O



Technical specifications | Ambient, no heat - Portier A ✨

Type	Output [kW]	Airflow [m ³ /h]	Sound power* ¹ [dB(A)]	Sound pressure* ² [dB(A)]	Voltage [V]	Amperage [A]	Length [mm]	Weight [kg]
PS210A	0	1000/1300	70	44/54	230V~	0,45	1020	14
PS215A	0	1300/2000	72	46/56	230V~	0,55	1530	20

Technical specifications | Electrical heat - Portier E ⚡

Type	Output steps [kW]	Airflow [m ³ /h]	Δt * ³ [°C]	Sound power* ¹ [dB(A)]	Sound pressure* ² [dB(A)]	Voltage [V]	Amp. [A]	Length [mm]	Weight [kg]
PS210E03	1,5/3	950/1200	10/8	66	44/50	230V~/400V3N~* ⁴	13,4/4,8	1020	17
PS210E06	3/6	950/1200	19/15	66	44/50	400V3N~* ⁴	9,2	1020	17
PS210E09	4,5/9	950/1200	28/23	66	44/50	400V3N~* ⁴	13,5	1020	17
PS215E09	4,5/9	1200/1900	23/14	66	39/50	400V3N~* ⁴	13,5	1530	24
PS215E14	6,7/13,5	1200/1900	34/21	66	39/50	400V3~ + 230V~	20,0	1530	24

*¹) Sound power (L_{WA}) measurements according to ISO 27327-2: 2014, Installation type E.

*²) Sound pressure (L_{pA}). Conditions: Distance to the unit 5 metres. Directional factor: 2. Equivalent absorption area: 200 m². At lowest/highest airflow.

*³) Δt = temperature rise of passing air at maximum heat output and highest airflow.

*⁴) Alternative 400 V3~ + 230 V~ (operating supply) if the current is greater than 16 A. Applies when connecting several units.

Protection class: IP21.

CE compliant.

Accessory	Type
Control panel	CB22
Control panel	CB20
2-step Thermostat	RTI2
Door contact	MDC

Assembly and operating instructions

General Instructions

Read these instructions carefully before installation and use. Keep this manual for future reference.

The product may only be used as set out in the assembly and operating instructions. The guarantee is only valid if the product is used in the manner intended and in accordance with the instructions.

Application area

Portier air curtains are intended for stationary/permanent installation above entrances and smaller doors with a height up to 2.5 meter. Protection class: IP21

Operation

The air is drawn in at the top of the unit and blown out at high velocity across the doorway, providing a protective air shield. The air shield minimises cold draughts and reduces heat loss through open doorways. For best efficiency, the air curtain(s) should cover the whole width of the opening.

Mounting

The units may only be installed horizontally over a doorway with the air-stream directed downwards. For the protection of wider doorways, several units can be mounted next to each other. For optimal performance it is recommended that a minimum gap of 80 mm is maintained above the air-curtain.

The total distance between PS and the wall, and to the ceiling must be at least 120 mm. See fig. B.

The PS is mounted using the four pcs of threaded M6 holes on top of the unit.

The PS can be suspended using wires/chains connected to the lifting loops included. See fig. A.

It's also possible to use threaded bars (M6) connected directly to the threaded holes on top of the unit. See fig C.

Electrical installation

The air curtain(s) should only be wired by a competent electrician, and in accordance with the latest edition of IEE wiring regulations.

Different combinations of fan speed and heat output are available. See wiring diagrams fig. F - I.

To open the PS unit, loosen the 5 screws positioned closest to the inlet grille and remove the front by lifting it straight out/downwards. See fig E.

On top of the unit there are knockouts (2xØ23mm, 2xØ29mm) for routing of electrical supply and remote switching cables.

The cable-glands used must guarantee the protection class requirements!

Typ	Output kW	Voltage V	Min. cable area mm ²
All control		230V~	0.75
PS210E03**	3	230V~ / 400V 3N~	2.5 / 1.5
PS210E06*	6	230V 3~ / 400V 3N~	2.5 / 1.5
PS210E09*	9	230V 3~ / 400V 3N~	6 / 2.5
PS215E09*	9	230V 3~ / 400V 3N~	6 / 2.5
PS215E14*	13.5	230V 3~ / 400V 3N~	10 / 4
PS210A	0	230V~	0.75
PS215A	0	230V~	0.75

*Commutable units can be used for 3x230V or 3x400V.

**Commutable units can be used for 230V or 3x400V.

To convert the elements for PS210E06-9 and PS215E09-14 see wiring diagram fig. O.

No conversion has to be done for PS210E03.

The convert sockets are located behind the left end cap and are easily accessible after taking off the front panel

The power and voltage could be supplied in different connection areas (see wiring diagram fig. J - N). In the distribution board it is to be indicated that "the air curtains can be supplied from more than one connection".

Adjusting the unit and the airflow

Direction and speed of the airflow should be adjusted according to the load on the door. Outside pressure forces the air stream to bend towards the interior of the room (when the room is heated and the outside is cold). To reduce this effect, the airflow should be directed outwards. The air director/grille is adjustable and should be angled outwards (5°-10°) to achieve the best protection of the door. The more load caused by negative pressure differential, temperature differences and wind, the more should the airflow be directed outwards. The airflow can be adjusted by use of the control box (CB22 or CB20). The efficiency of the air curtain(s) depends on the air temperature and pressure differences across the doorway and any wind forces.

NOTE! Negative pressure differential in buildings considerably reduces the efficiency of the air curtain, ventilation should therefore be balanced.

The airflow is set with the airflow selector so that the air velocity is 3-4 m/s 1 m above the floor. NOTE! When PS210E09 or PS215E14 is set on high heat output, the fan speed is automatically set to high. A baffle on each side of the doorway will improve the efficiency of the air curtains.

Trouble shooting

If the fans stop, check the following:

- a) Power supply; check fuses, safety cut-out and time switch (if any) that starts and stops the unit.
 - b) That the airflow selector is correctly set.
- If the error cannot be fixed, please contact qualified service technician.

If there is no heat, check the following:

- a) Power supply to electric heater; check fuses and safety cut-out (if any).
- b) Thermostat settings and actual temperature.
- c) That the output selector (if any) is set correctly.
- d) That the overheat protection has not been released. If so, please check description below.

Overheating

Portier is equipped with an overheat protector.

If it is released due to overheating, reset as follows:

- a) Disconnect the electric supply.
- b) Investigate the problem and repair the fault.
- c) Reset is performed as follows: Locate the red button which is located inside the air curtain at the inner gable to which the fan and the motor are attached. It can be seen through the outlet grille see fig. D. Press the button with a screw driver until a click is heard.
- d) Connect the air curtain again.

If the error cannot be fixed, please contact qualified service technician.

Maintenance

NOTE! Always disconnect the electricity prior to cleaning or inspection (units with electric heat can be supplied from more than one connection). The fan motors and the other components require no maintenance other than cleaning, once a year is recommended. Grille, impeller and elements are vacuum cleaned or cleaned with a damp cloth. Open the front panel to reach elements and impellers.

Residual current circuit breaker (E)

When the installation is protected by means of a residual current circuit breaker, which trips when the appliance is connected, this may be due to moisture in the heating element. When an appliance containing a heater element has not been used for a long period or stored in a damp environment, moisture can enter the element.

This should not be seen as a fault, but is simply rectified by connecting the appliance to the mains supply via a socket without a safety cut-out, so that the moisture can be eliminated from the element. The drying time can vary from a few hours to a few days. As a preventive measure, the unit should occasionally be run for a short time when it is not being used for extended periods of time.

Safety

- *For all installations of electrically heated products should a residual current circuit breaker 300 mA for fire protection be used.*
- *Ensure that the area around the intake and exhaust grille is kept free from objects which could prevent the air to flow through the unit!*
- *During operation the surfaces of the unit are hot!*
- *The unit must never be covered fully or partially with clothes, or similar which can cause risk of fire!*
- *This appliance can be used by children aged from 8 years and above and persons with reduced physical, sensory or mental capabilities or lack of experience and knowledge if they have been given supervision or instruction concerning use of the appliance in a safe way and understand the hazards involved. Children shall not play with the appliance. Cleaning and user maintenance shall not be made by children without supervision.*



Main office

Frico AB
Box 102
SE-433 22 Partille
Sweden

Tel: +46 31 336 86 00

mailbox@frico.se
www.frico.se

**For latest updated information and information
about your local contact: www.frico.se**