

Lima



Lima 500 \updownarrow × 1000 \leftrightarrow SX
colour: RAL 8004

3-axis thermostatic valve set, left, chrome
Pipe-masking set, chrome



TERMA
SINCE 1990

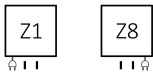


Standard connection:

A \updownarrow 300÷1700:

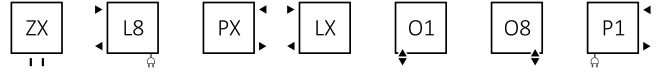


A \updownarrow 500÷1700:

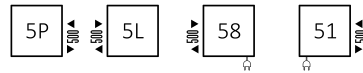


Optional connection:

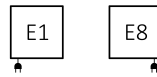
A \updownarrow 300÷1700:



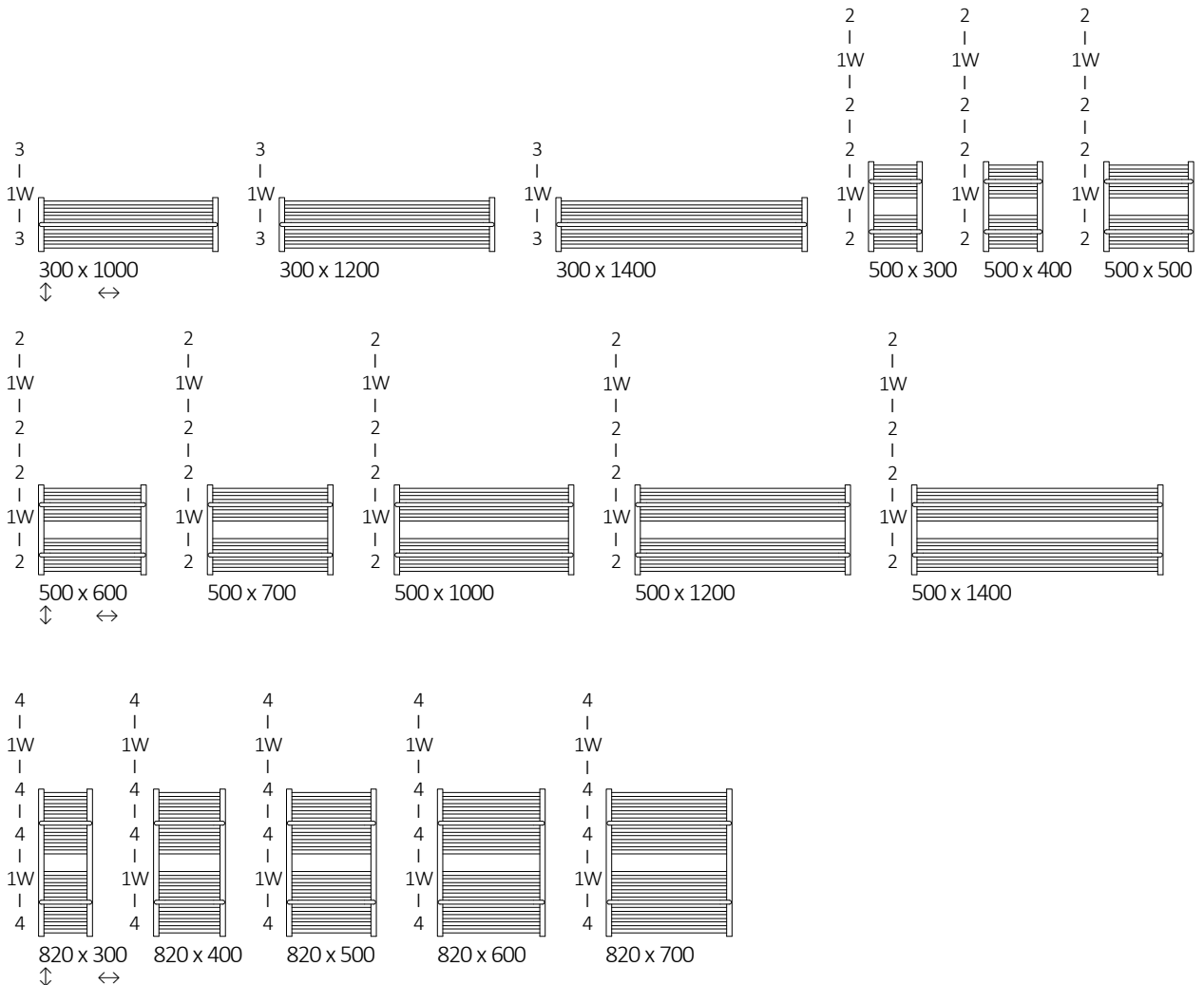
A \updownarrow 820÷1700:



Electric radiators:

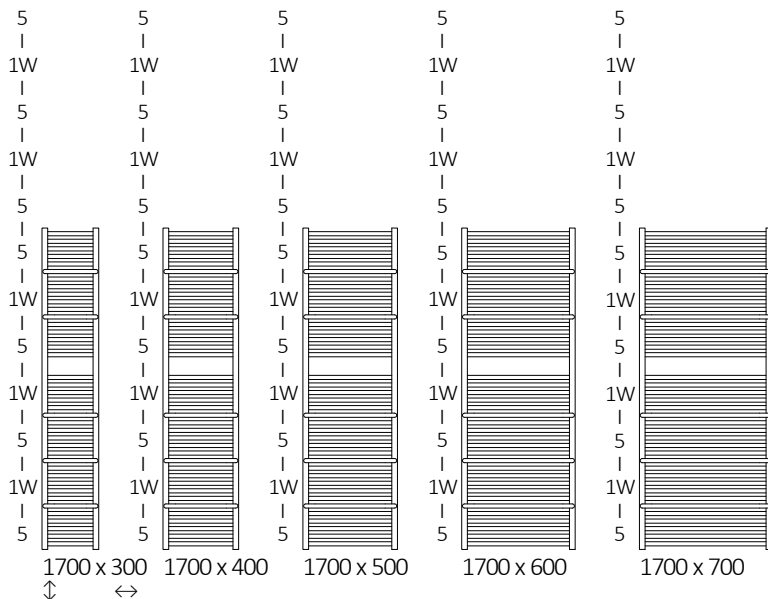
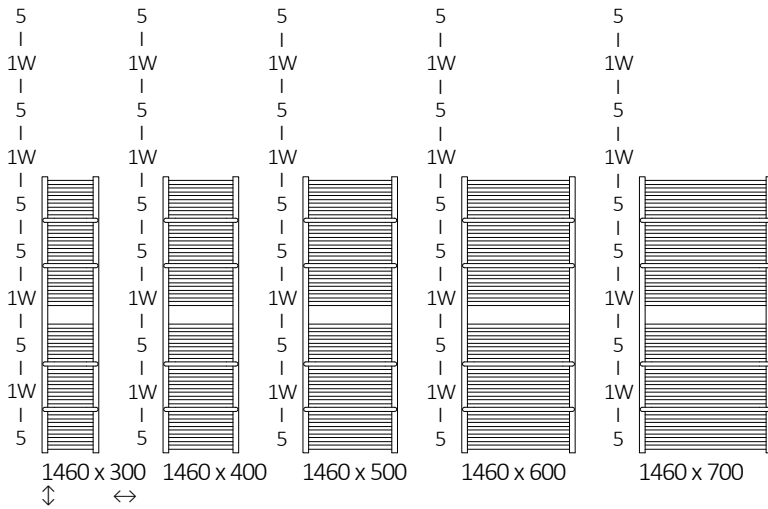
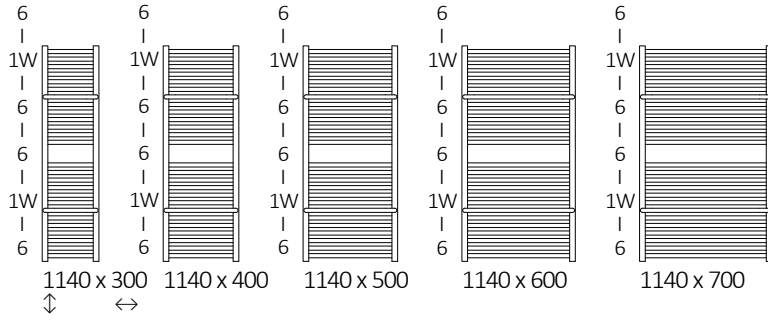


Available sizes:





Available sizes:





Specification:

Working pressure: 1000 kPa Maximum operating temperature: 95°C

A ↓ [mm]	B ↔ [mm]	C1 [mm]	75/65/20°C [W]	55/45/20°C [W]	[W]	D [mm]	E [mm]	F [mm]	H [dm³]	[kg]	Product code <small>Configuration code p. 8</small>
Paint											
300	1000	50	290	159	-	970	120	90	2,43	5,28	WGLIM030100
300	1200	50	347	191	-	1170	120	90	2,85	6,21	WGLIM030120
300	1400	50	405	223	-	1370	120	90	3,26	7,15	WGLIM030140
500	300	50	144	79	120	270	320	90	1,50	3,06	WGLIM050030
500	400	50	192	105	200	370	320	90	1,79	3,72	WGLIM050040
500	500	50	241	131	200	470	320	90	2,09	4,39	WGLIM050050
500	600	50	282	153	300	570	320	90	2,39	5,06	WGLIM050060
500	700	50	324	176	300	670	320	90	2,69	5,73	WGLIM050070
500	1000	50	482	262	-	970	320	90	3,59	7,73	WGLIM050100
500	1200	50	578	314	-	1170	320	90	4,18	9,07	WGLIM050120
500	1400	50	675	367	-	1370	320	90	4,78	10,41	WGLIM050140
820	300	50	244	132	300	270	640	90	2,53	5,14	WGLIM082030
820	400	50	228	116	200	370	640	90	3,07	6,34	WGLIM082040
820	500	50	406	218	400	470	640	90	3,61	7,54	WGLIM082050
820	600	50	477	256	400	570	640	90	4,15	8,75	WGLIM082060
820	700	50	547	293	600	670	640	90	4,68	9,95	WGLIM082070
1140	300	50	345	185	400	270	960	90	3,57	7,22	WGLIM114030
1140	400	50	460	247	400	370	960	90	4,35	8,96	WGLIM114040
1140	500	50	574	308	600	470	960	90	5,13	10,69	WGLIM114050
1140	600	50	675	361	800	570	960	90	5,90	12,43	WGLIM114060
1140	700	50	776	415	800	670	960	90	6,68	14,17	WGLIM114070
1460	300	50	449	240	400	270	1280	90	4,66	9,42	WGLIM146030
1460	400	50	599	319	600	370	1280	90	5,68	11,69	WGLIM146040
1460	500	50	748	399	800	470	1280	90	6,69	13,96	WGLIM146050
1460	600	50	879	468	800	570	1280	90	7,71	16,23	WGLIM146060
1460	700	50	1009	537	1000	670	1280	90	8,73	18,50	WGLIM146070
1700	300	50	527	280	600	270	1520	90	5,47	11,04	WGLIM170030
1700	400	50	703	374	800	370	1520	90	6,66	13,71	WGLIM170040
1700	500	50	878	466	800	470	1520	90	7,86	16,38	WGLIM170050
1700	600	50	1031	547	1000	570	1520	90	9,05	19,05	WGLIM170060
1700	700	50	1183	628	1200	670	1520	90	10,25	21,73	WGLIM170070



Specification:

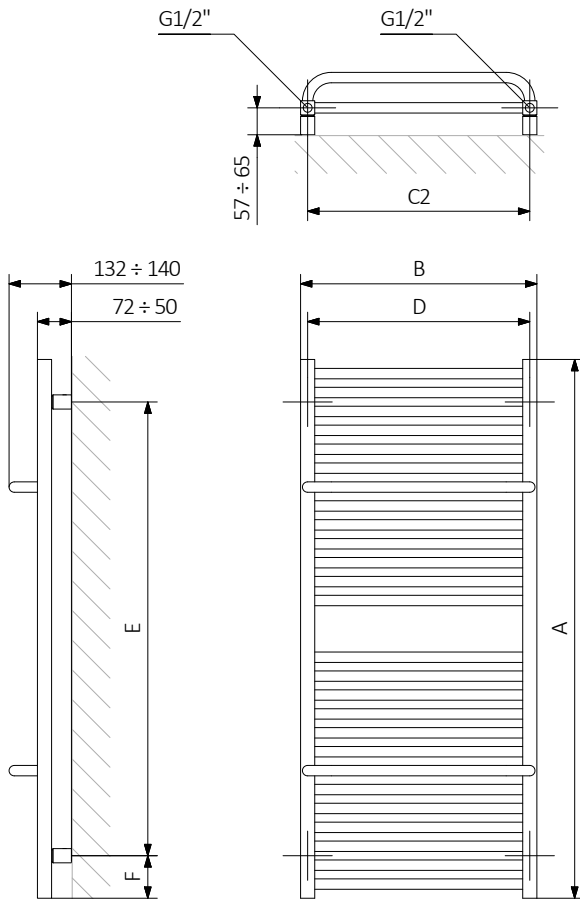
Working pressure: 1000 kPa Maximum operating temperature: 95°C

A ↓ [mm]	B ↔ [mm]	C1 [mm]	75/65/20°C [W]	55/45/20°C [W]	 [W]	D [mm]	E [mm]	F [mm]	H [dm³]	 [kg]	Product code <small>Configuration code p. 8</small>
Plating											
300	1000	50	203	104	-	970	120	90	2,43	5,07	WGLIM030100
300	1200	50	243	124	-	1170	120	90	2,85	5,96	WGLIM030120
300	1400	50	284	145	-	1370	120	90	3,26	6,86	WGLIM030140
500	300	50	101	51	120	270	320	90	1,50	2,94	WGLIM050030
500	400	50	134	69	120	370	320	90	1,79	3,58	WGLIM050040
500	500	50	169	86	200	470	320	90	2,09	4,22	WGLIM050050
500	600	50	197	101	200	570	320	90	2,39	4,86	WGLIM050060
500	700	50	227	116	200	670	320	90	2,69	5,50	WGLIM050070
500	1000	50	337	172	-	970	320	90	3,59	7,43	WGLIM050100
500	1200	50	405	206	-	1170	320	90	4,18	8,71	WGLIM050120
500	1400	50	473	241	-	1370	320	90	4,78	9,99	WGLIM050140
820	300	50	171	87	200	270	640	90	2,53	4,94	WGLIM082030
820	400	50	228	116	200	370	640	90	3,07	6,10	WGLIM082040
820	500	50	284	145	300	470	640	90	3,61	7,25	WGLIM082050
820	600	50	334	170	400	570	640	90	4,15	8,40	WGLIM082060
820	700	50	383	195	400	670	640	90	4,68	9,55	WGLIM082070
1140	300	50	242	123	300	270	960	90	3,57	6,94	WGLIM114030
1140	400	50	322	164	300	370	960	90	4,35	8,61	WGLIM114040
1140	500	50	402	205	400	470	960	90	5,13	10,27	WGLIM114050
1140	600	50	473	241	400	570	960	90	5,90	11,94	WGLIM114060
1140	700	50	543	277	600	670	960	90	6,68	13,61	WGLIM114070
1460	300	50	314	160	300	270	1280	90	4,66	9,06	WGLIM146030
1460	400	50	419	214	400	370	1280	90	5,68	11,24	WGLIM146040
1460	500	50	524	267	600	470	1280	90	6,69	13,41	WGLIM146050
1460	600	50	615	314	600	570	1280	90	7,71	15,59	WGLIM146060
1460	700	50	706	360	800	670	1280	90	8,73	17,77	WGLIM146070
1700	300	50	369	188	400	270	1520	90	5,47	10,62	WGLIM170030
1700	400	50	492	251	600	370	1520	90	6,66	13,18	WGLIM170040
1700	500	50	615	313	600	470	1520	90	7,86	15,74	WGLIM170050
1700	600	50	722	368	800	570	1520	90	9,05	18,30	WGLIM170060
1700	700	50	828	422	800	670	1520	90	10,25	20,86	WGLIM170070

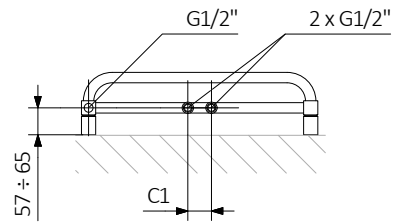


Technical drawing:

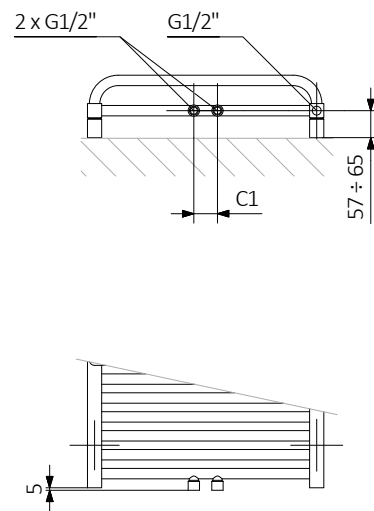
SX



Z1

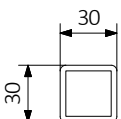


Z8

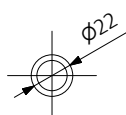


A – Height B – Width C1-C5 – Distance between pipe centres D – Horizontal distance between mounting bracket centres
E – Vertical distance between mounting brackets F – Distance between a mounting bracket and the bottom of the radiator

Collector:



Pipe:





In the table with technical data, the last column lists product codes. When placing an order, please remember to quote the product code followed by the configuration code as shown in the diagram below:

The construction of a water and dual fuel radiator product and configuration code:

WGLIM030100

K916SX

PRODUCT CODE
(located in the table for the product)

CONFIGURATION CODE
(supplemented by hand)

Example Configuration

K 916 SX

Package code Colour code Connection code
K - carton box

Construction of electric heater configuration code:

WLLIM030100

K916E1DRYW

PRODUCT CODE
(located in the table for the product)

CONFIGURATION CODE
(supplemented by hand)

Example Configuration

K 916 E1 DRY W

Package code Colour code Connection code Heating element code Type of heating element cable code
K - carton box

Epoxy primer

E – Code of epoxy primer is an extra processes.

WGLIM030100 K916SX **E** — Extra processes or additions code



Legend



Radiator available in a "water" version.



Radiator suitable for dual fuel connection. Electric heating element can be installed.



Radiator available in electric only version. It comes prefilled with a 'heating medium' and equipped with a heating element. All tested and ready to use.



Connection types dedicated for this radiator. The icon shows the flow and return connections for the radiator as well as the thermostatic valve and heating element position if applicable.



Suggested heating element power output for electric and dual fuel versions.



Weight.



Capacity.



Available in chrome finish.



No additional payment for a color.