

# F4031-24V relay and socket technical specification

## Relay features

- 1 Pole relay range
- 40.51 - 1 Pole 10 A (5 mm pin pitch)
- Direct mount or via PCB socket. 35 mm rail mount via screw and screwless sockets
- DC coils (standard or sensitive) & AC coils. Coil EMC suppression
- Cadmium Free contact material
- 8 mm, 6 kV (1.2/50  $\mu$ s) isolation, coil-contacts

## Contact specification

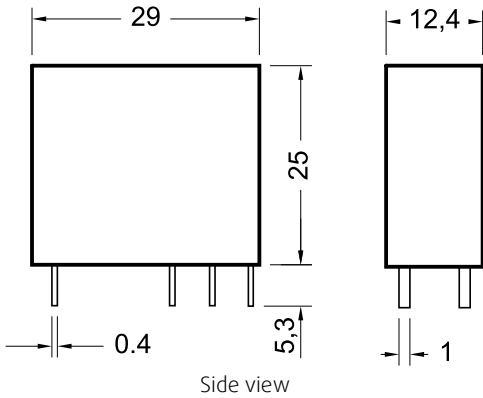
- Rated current – 10 A. Maximum peak current – 20 A
- Rated voltage – 250 V AC. Maximum switching voltage – 400 V AC
- Rated load AC1 – 2500 VA. Rated load AC15 (230 V AC) – 500 VA
- Single phase motor rating (230 V AC) – 0,37 kW
- Breaking capacity DC1: 30/110/220 V – 10/0.3/0.12 A
- Minimum switching load – 300 (5/5) mW (V/mA)

## Technical data

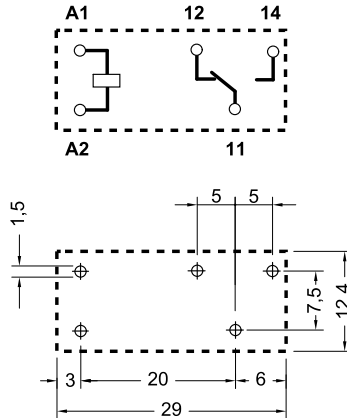
- Mechanical life AC/DC –  $10 \times 10^6$  /  $20 \times 10^6$  cycles
- Electrical life at rated load AC1 –  $200 \times 10^3$  cycles
- Operate/release time 7/3 - (12/4 sensitive) ms
- Dielectric strength between open contacts 1000 V AC
- Ambient temperature range  $-40 \dots +85$  °C

## Coil specification

- Nominal voltage ( $U_N$ ) V AC (50/60 Hz) – 6, 12, 24, 48, 60, 110, 120, 230, 240
- Nominal voltage ( $U_N$ ) V DC – 5, 6, 7, 9, 12, 14, 18, 21, 24, 28, 36, 48, 60, 90, 110, 125
- Rated power AC/DC/sens. DC – 1.2/0.65/0.5 VA (50 Hz)/W/W
- Operating range –  $(0.8 \dots 1.1) U_N$  AC
- Operating range –  $(0.73 \dots 1.5) U_N$  DC /  $(0.73 \dots 1.75) U_N$  sens. DC
- Holding voltage –  $0.8 U_N$  AC /  $0.4 U_N$  DC
- Must drop-out voltage –  $0.2 U_N$  AC /  $0.1 U_N$  DC



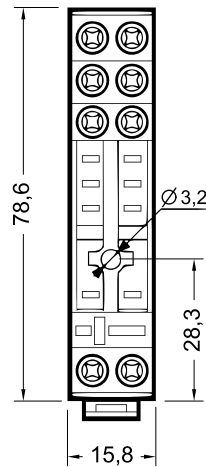
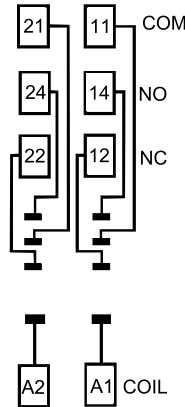
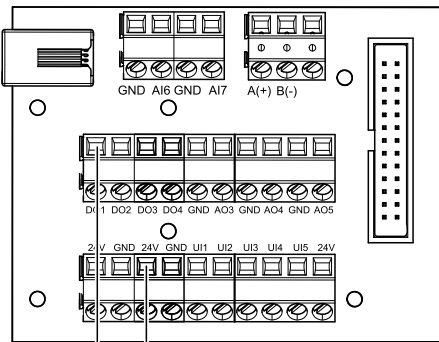
Side view



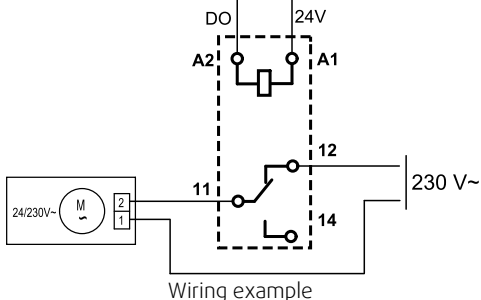
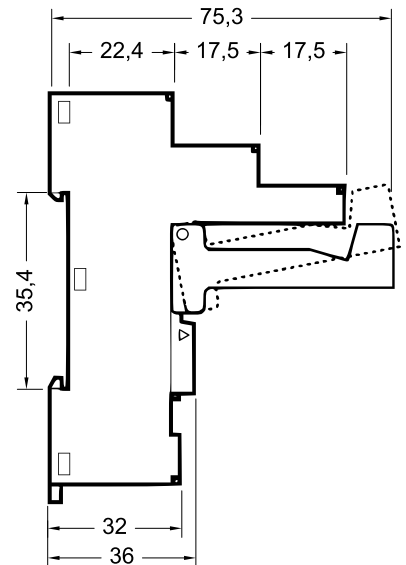
Bottom view

## Socket technical data

- Rated values – 10 A, 250 V
- Dielectric strength – 6 kV (1.2/50  $\mu$ s) between coil and contacts
- Protection category – IP 20
- Ambient temperature:  $-40 \dots +70$  °C
- Screw torque – 0.5 Nm
- Wire strip length – 8 mm



Socket



Wiring example